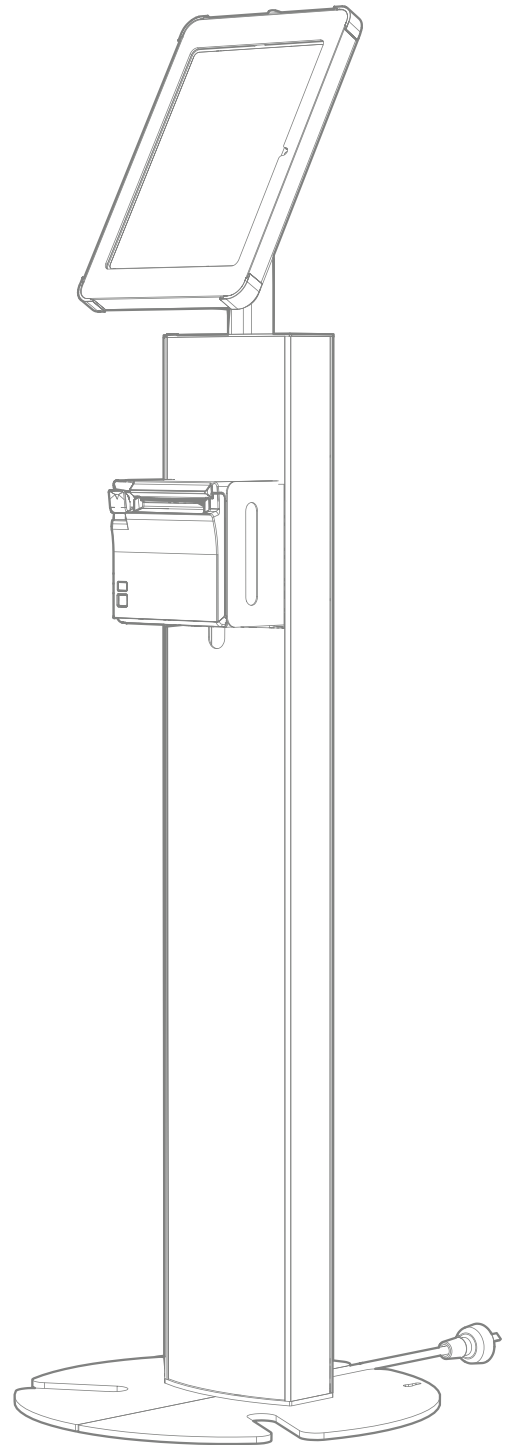
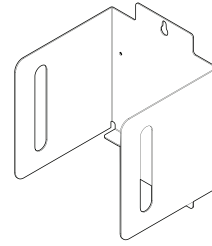
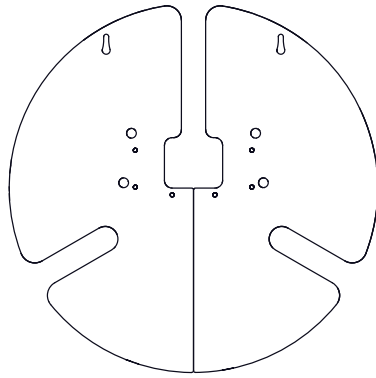
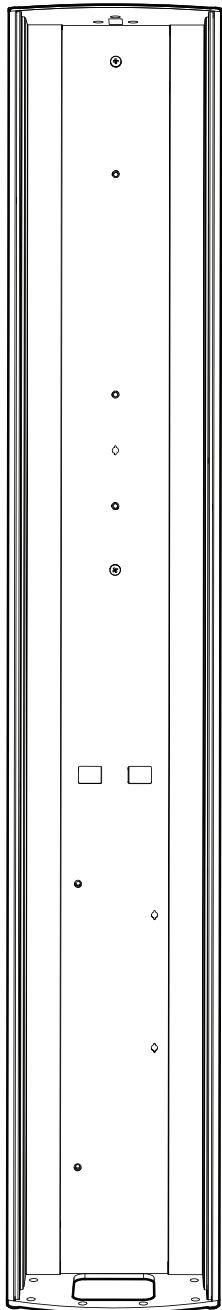

T Series Print E-10

Version 2.0

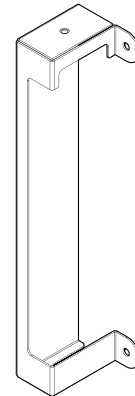
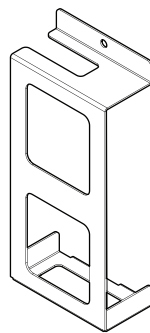
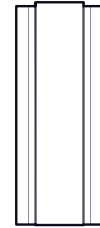
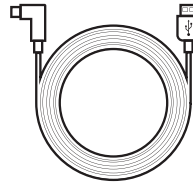
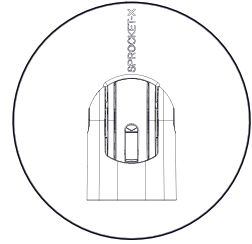
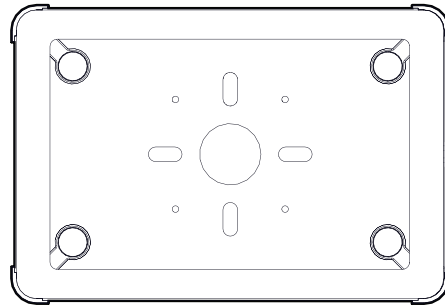
SPROCKET **Assembly Guide**







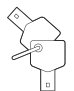




M2.5x10

x2



A	B	C	D	E	F	G
						
M5x10	M4x10	M6x16	M4x6	M3x8		

x6

x9

x4

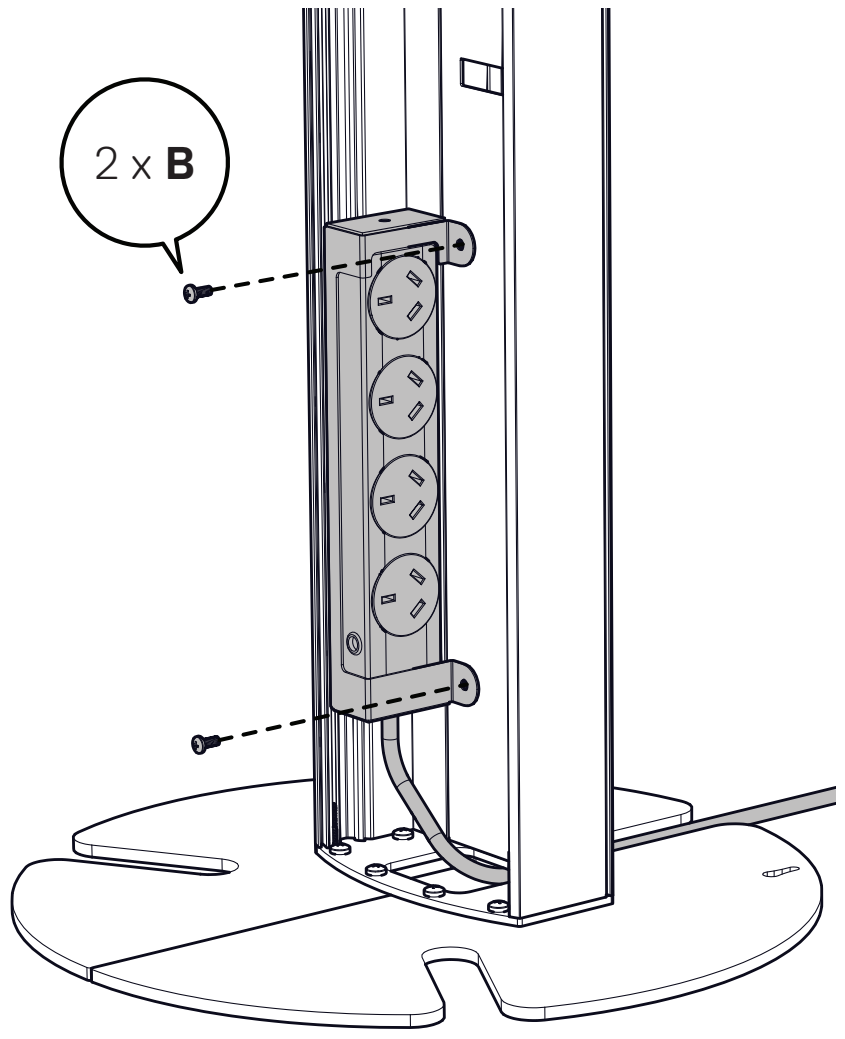
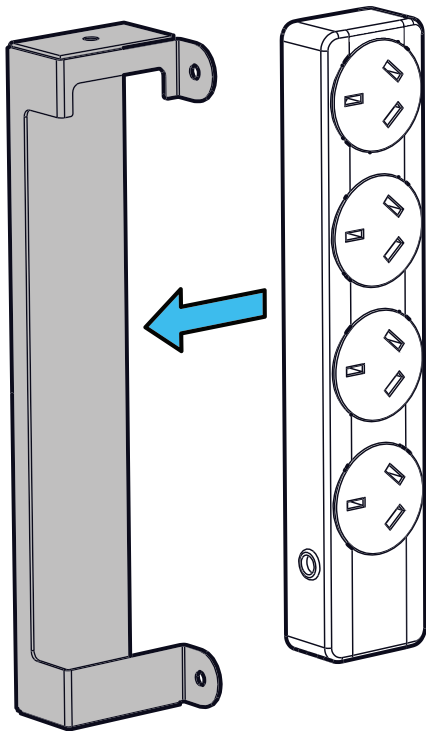
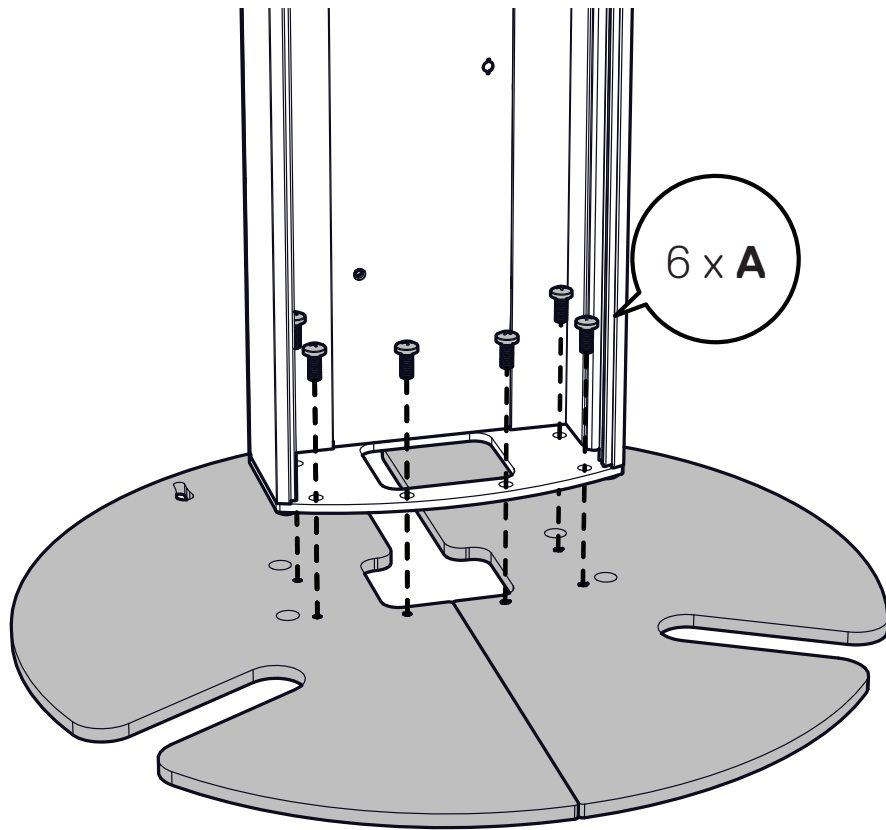
x4

x4

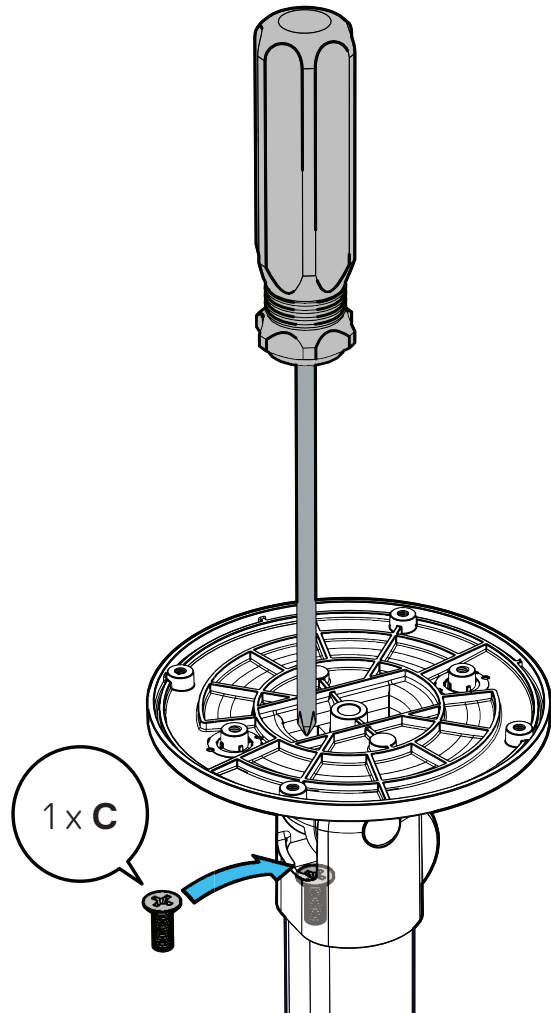
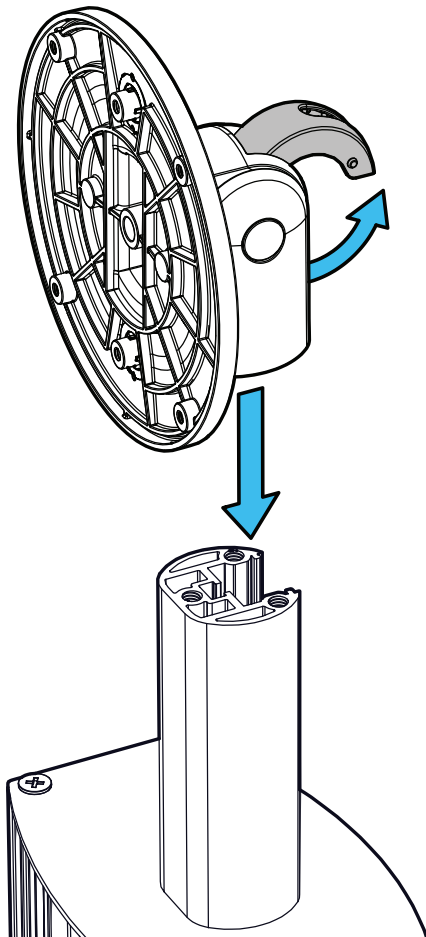
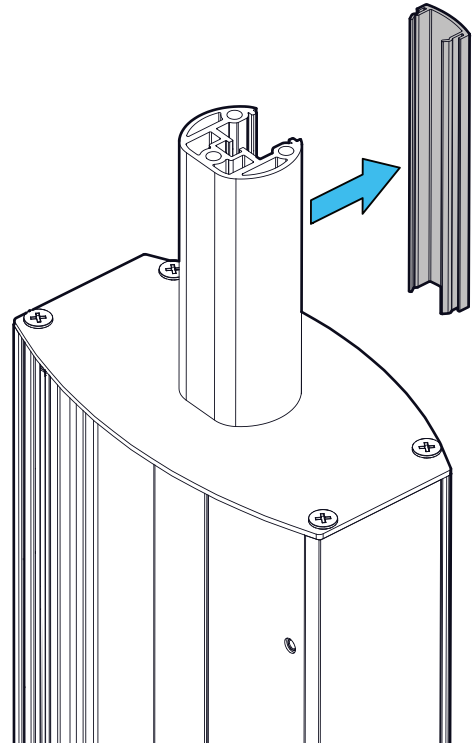
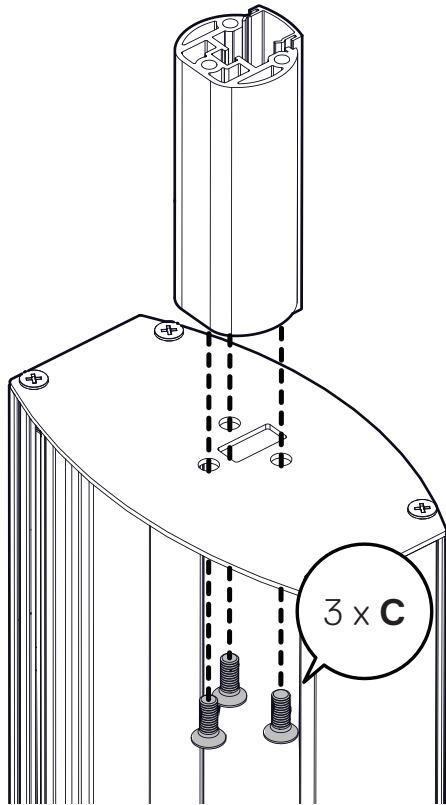
x1

x1

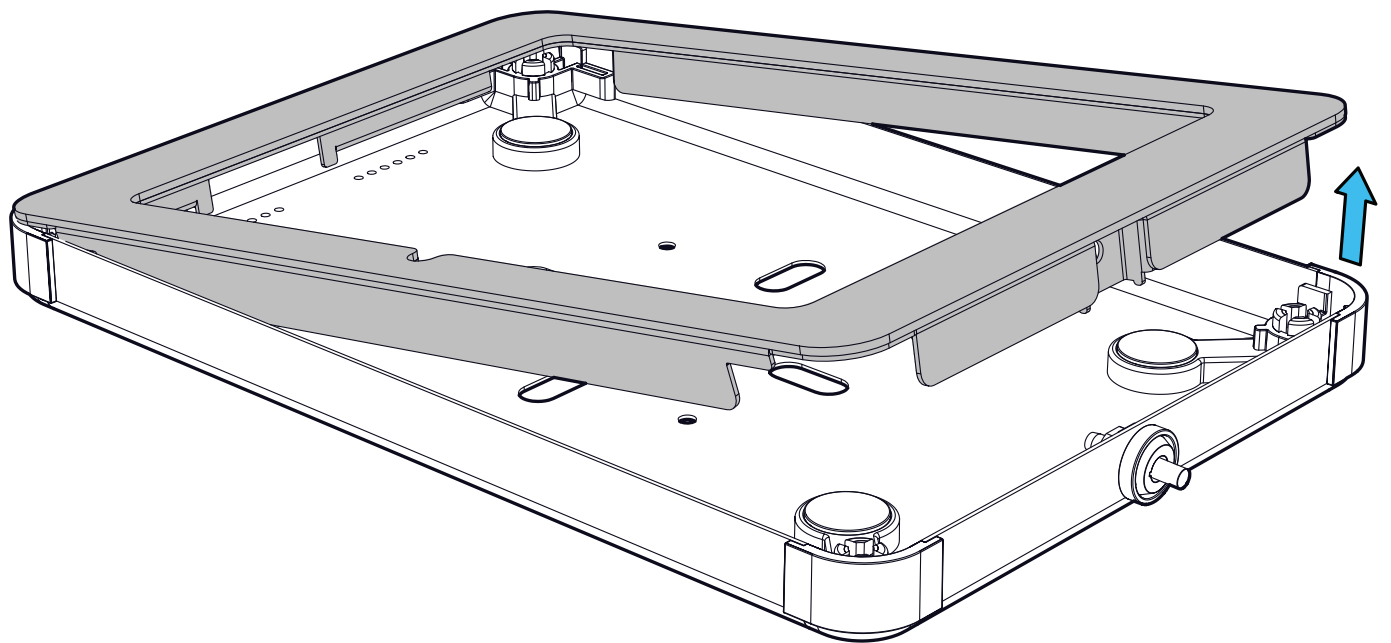
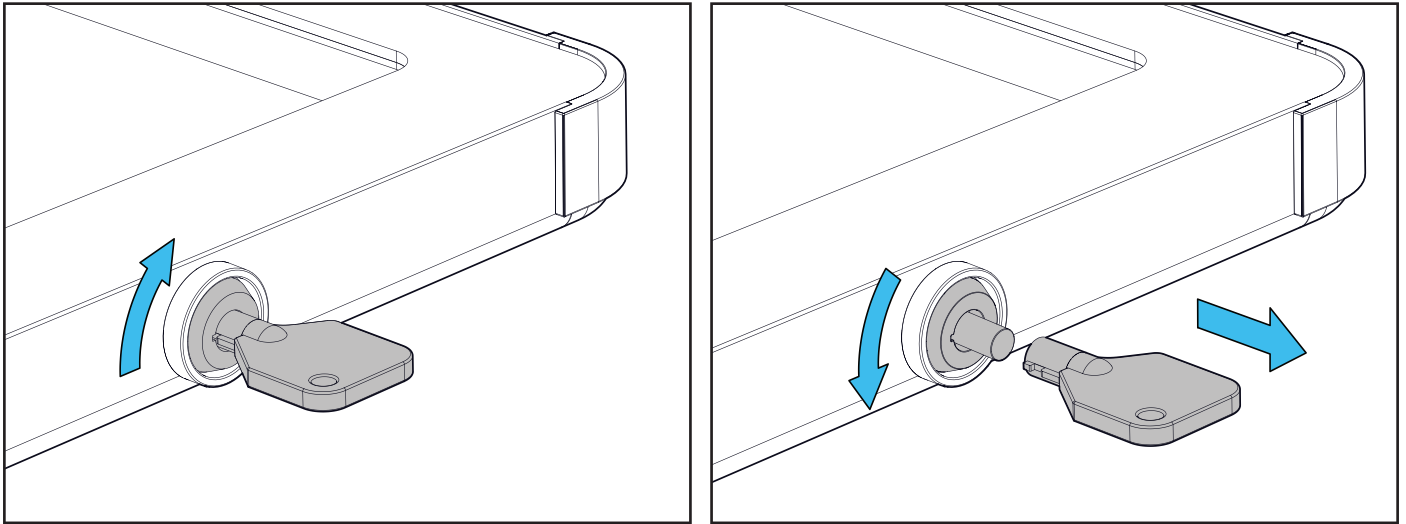
STEP 1/7



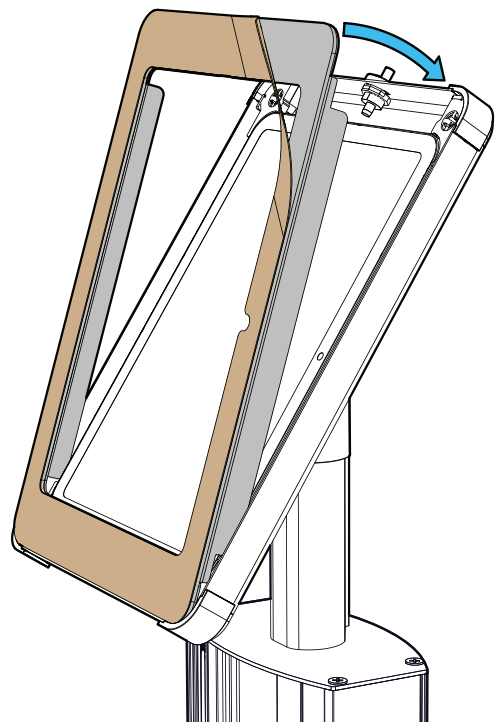
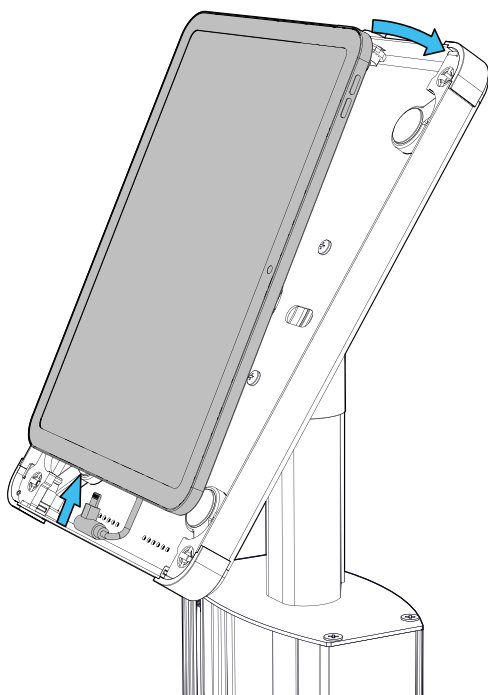
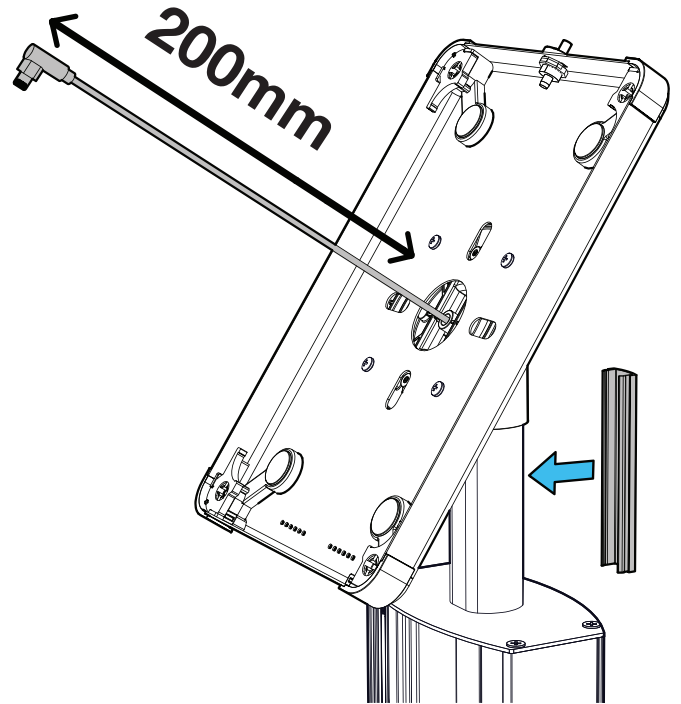
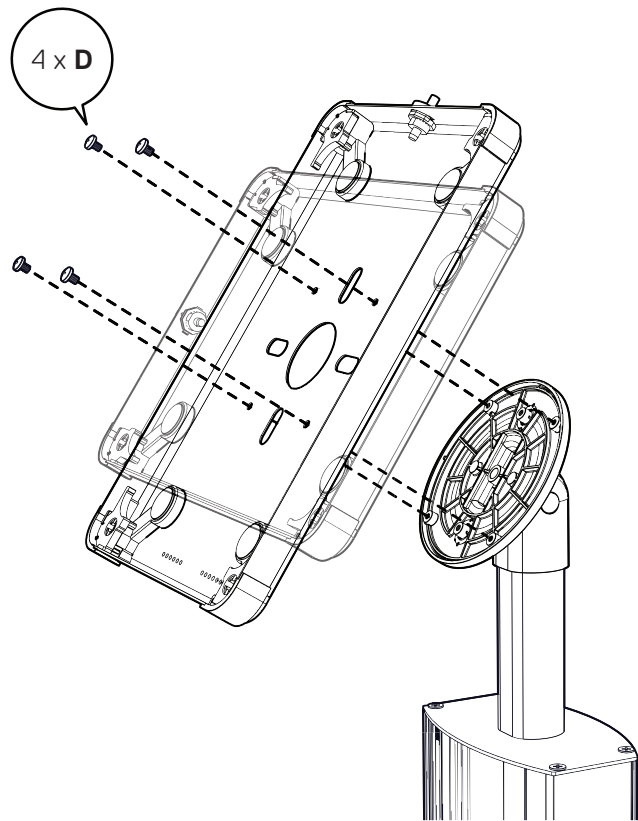
STEP 2/7



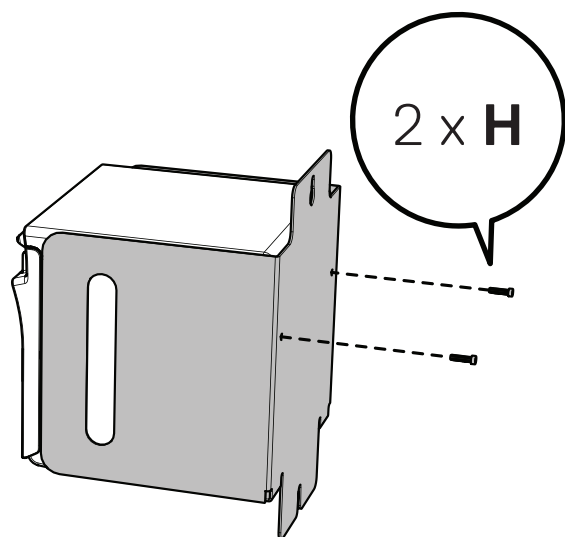
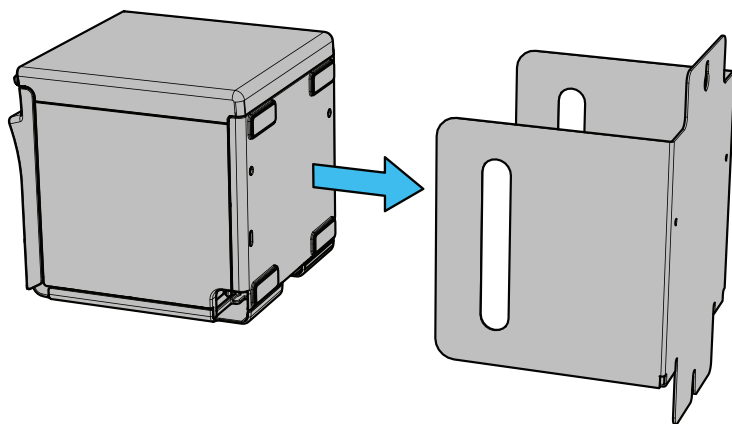
STEP 3 ¹/₇



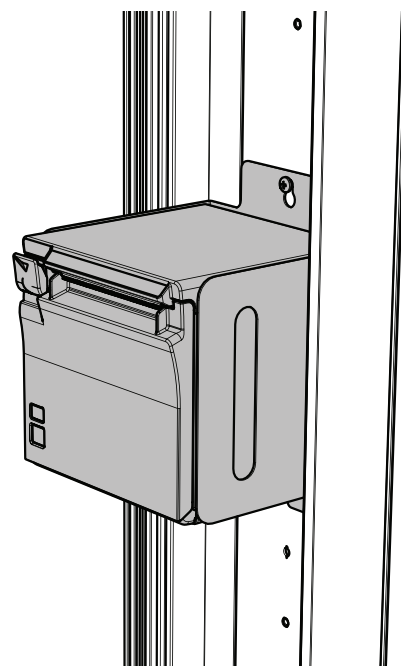
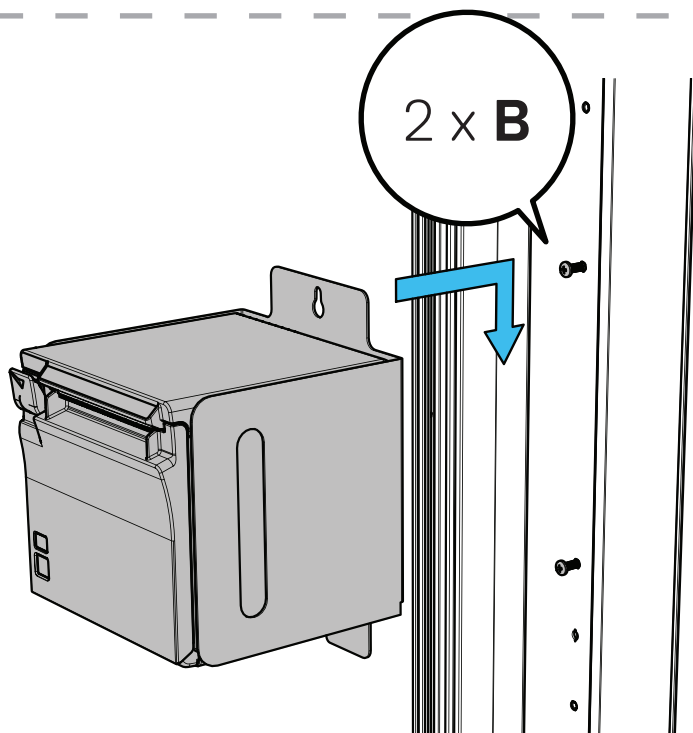
STEP 4 /7



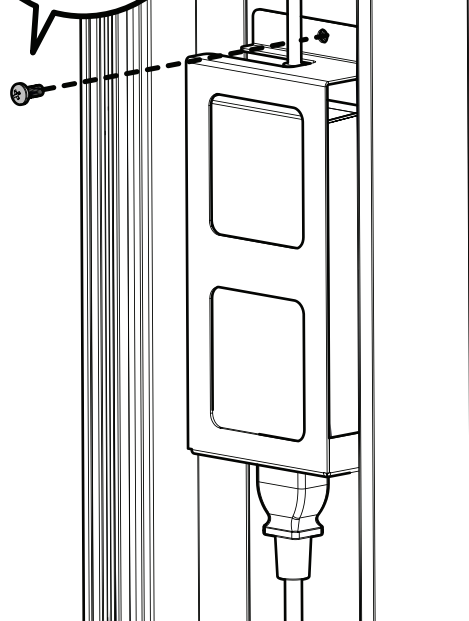
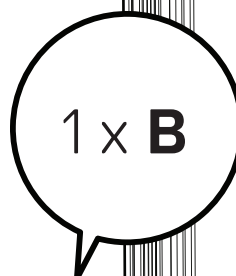
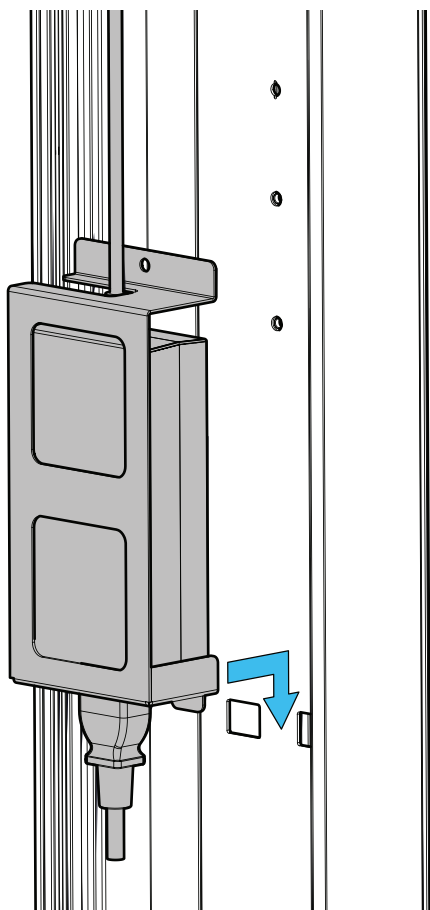
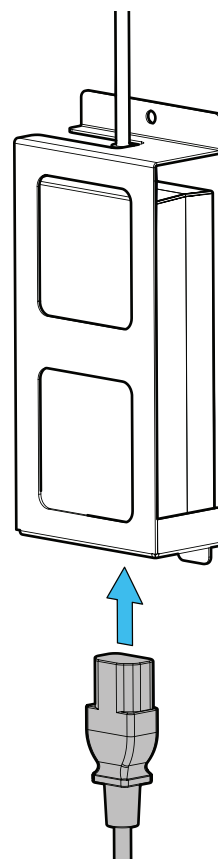
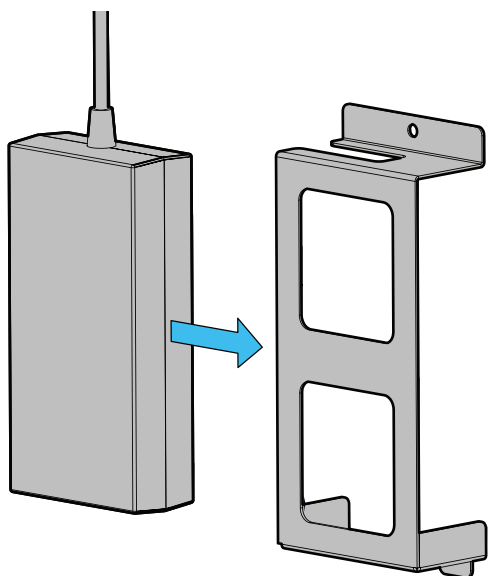
STEP 5_{/7}



NOTE: Connect all cables prior to fastening Epson printer to the printer bracket.



STEP 6/7



STEP 7 /17

