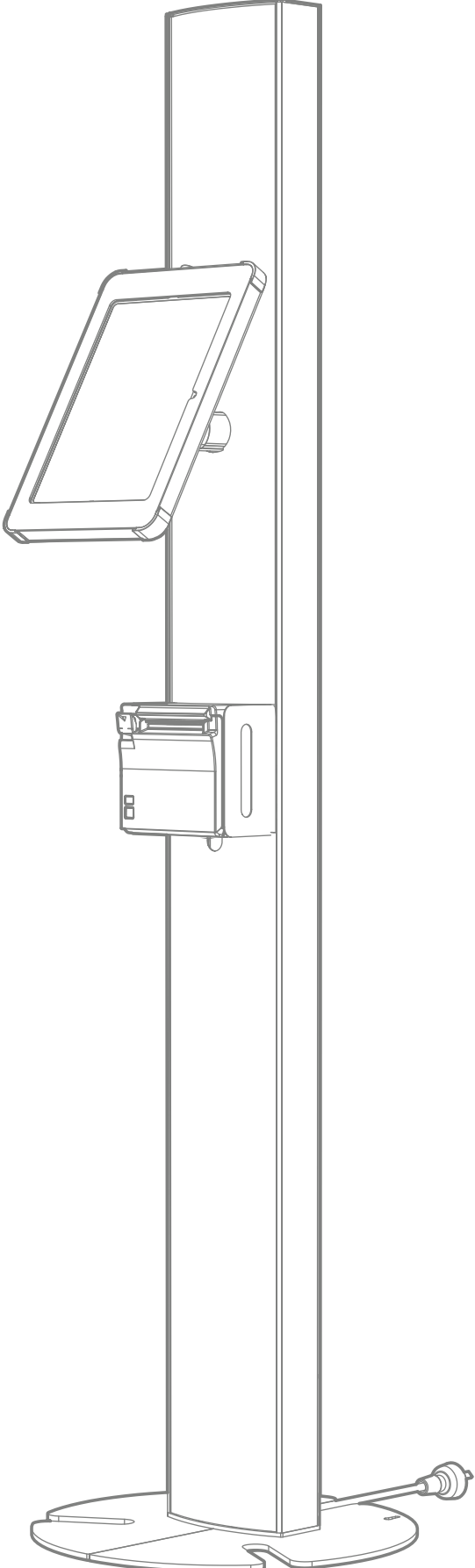
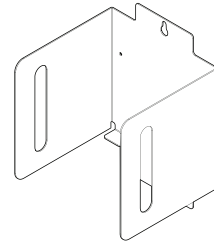
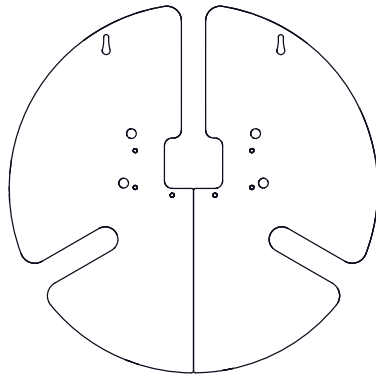
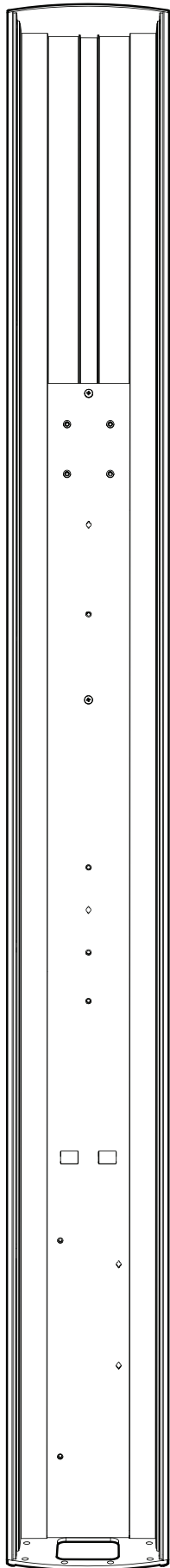

T Series Print E-15

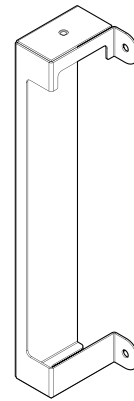
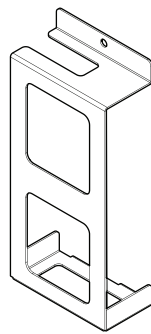
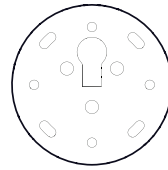
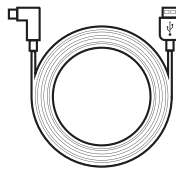
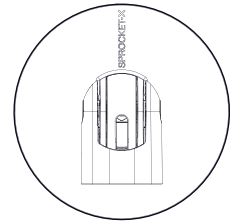
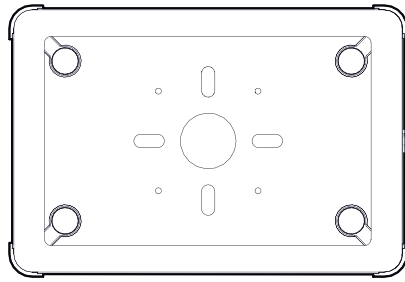
Version 2.0

SPROCKET **Assembly Guide**





x2



A	B	C	D	E	F	G
M5x10	M4x10	M6x16	M4x6	M3x8		

x6

x9

x4

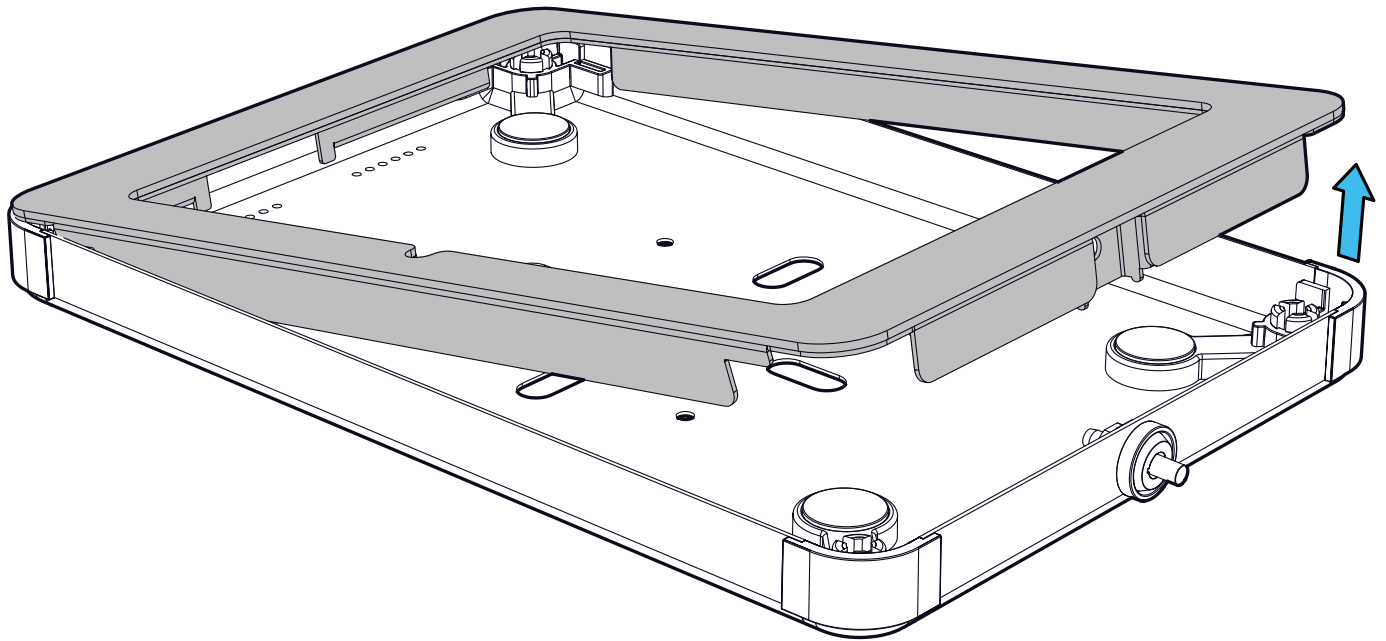
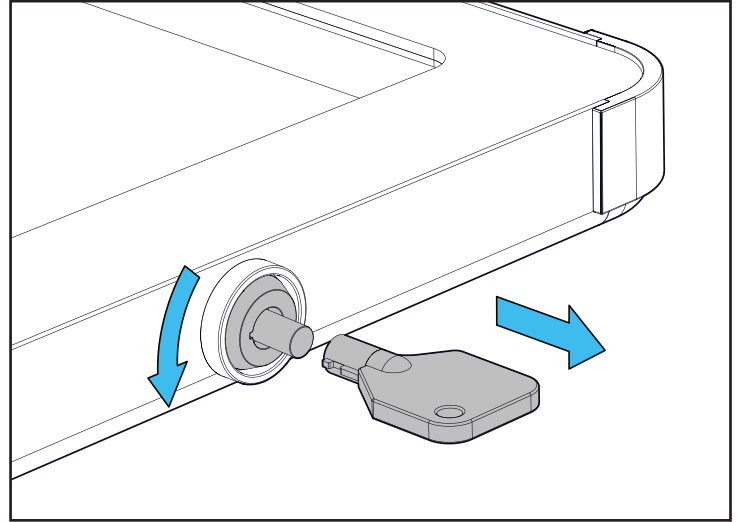
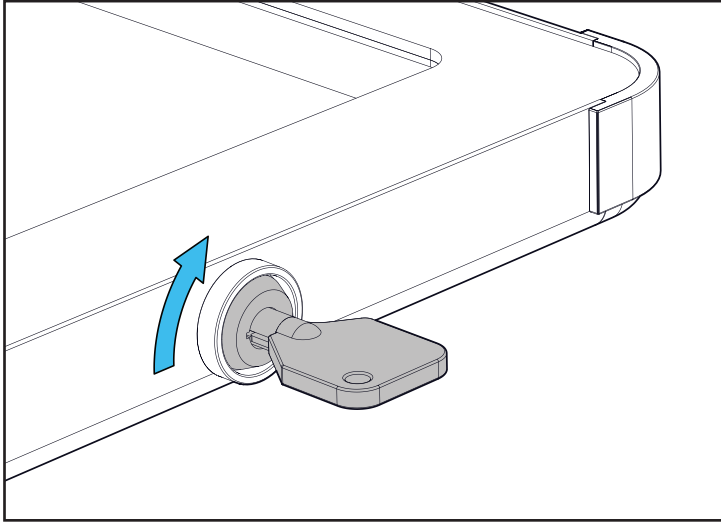
x4

x4

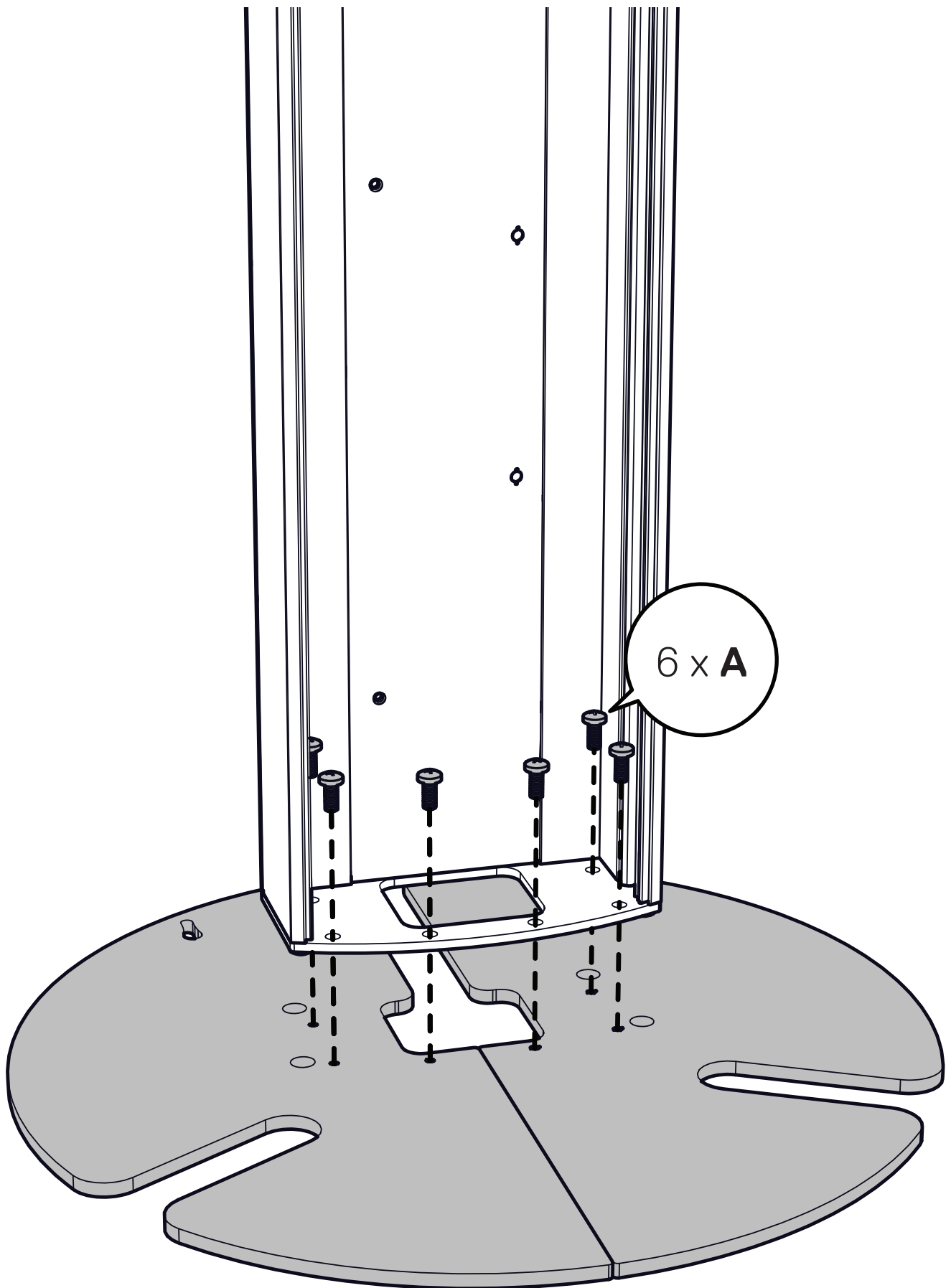
x1

x1

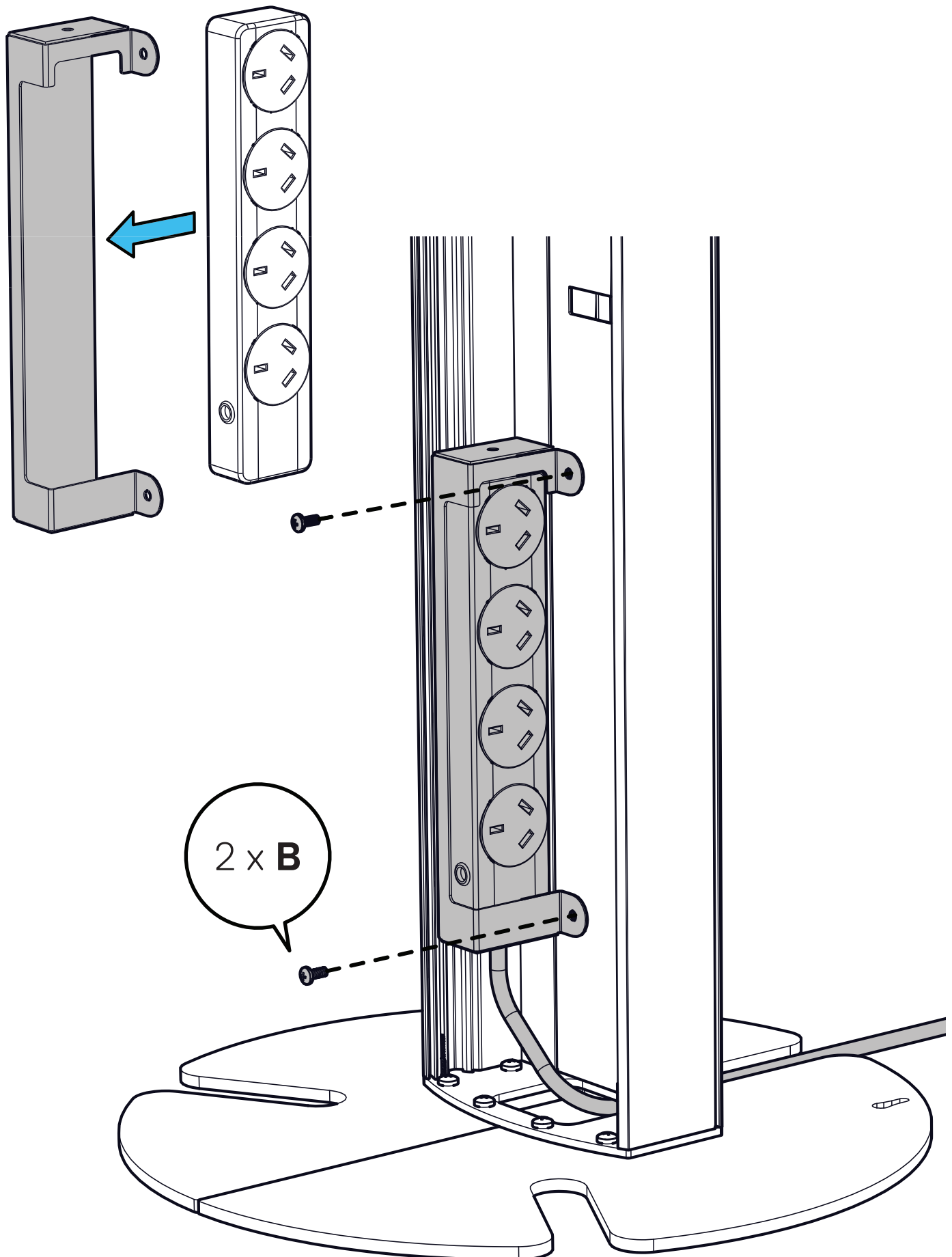
STEP 1/13



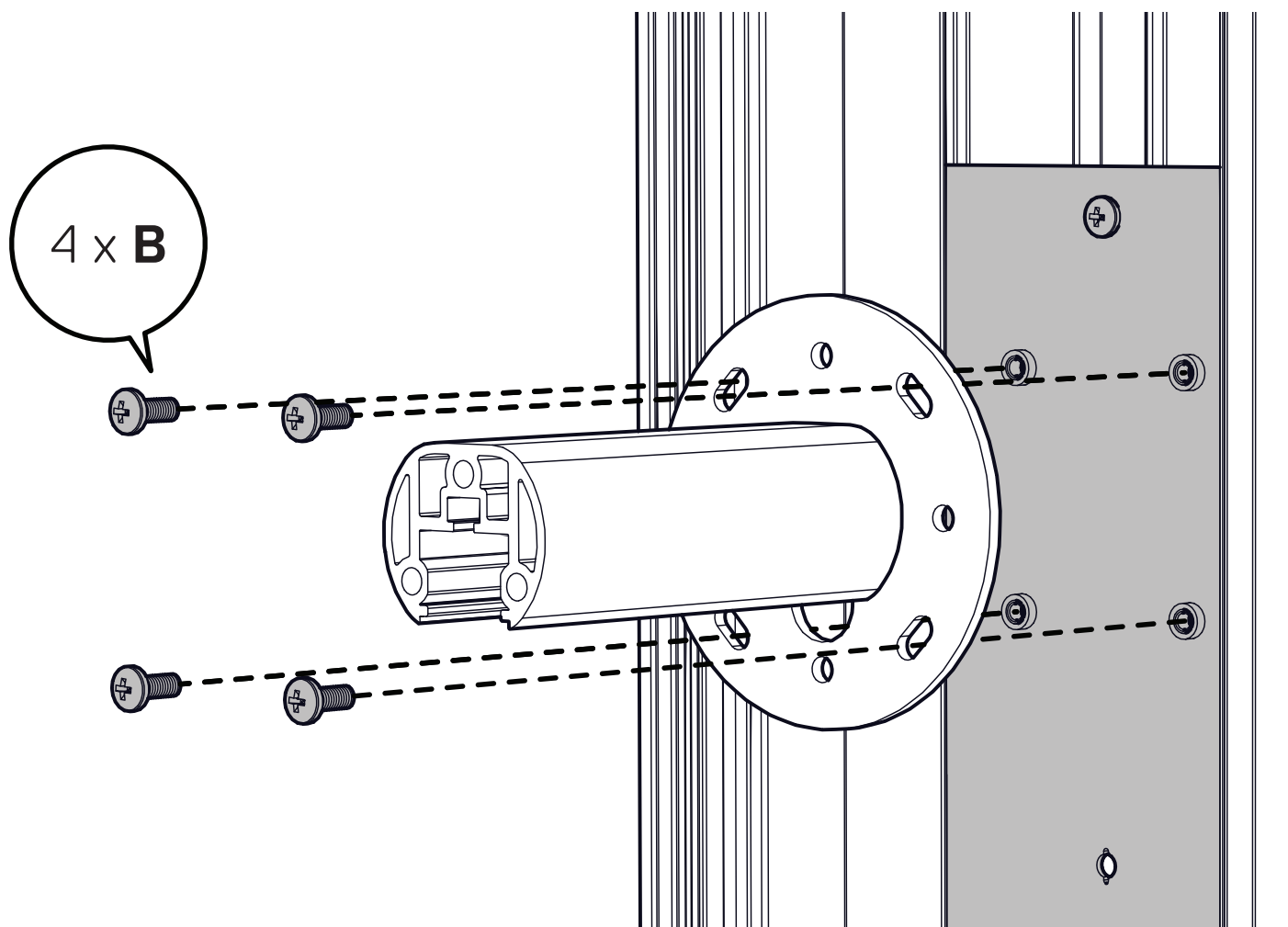
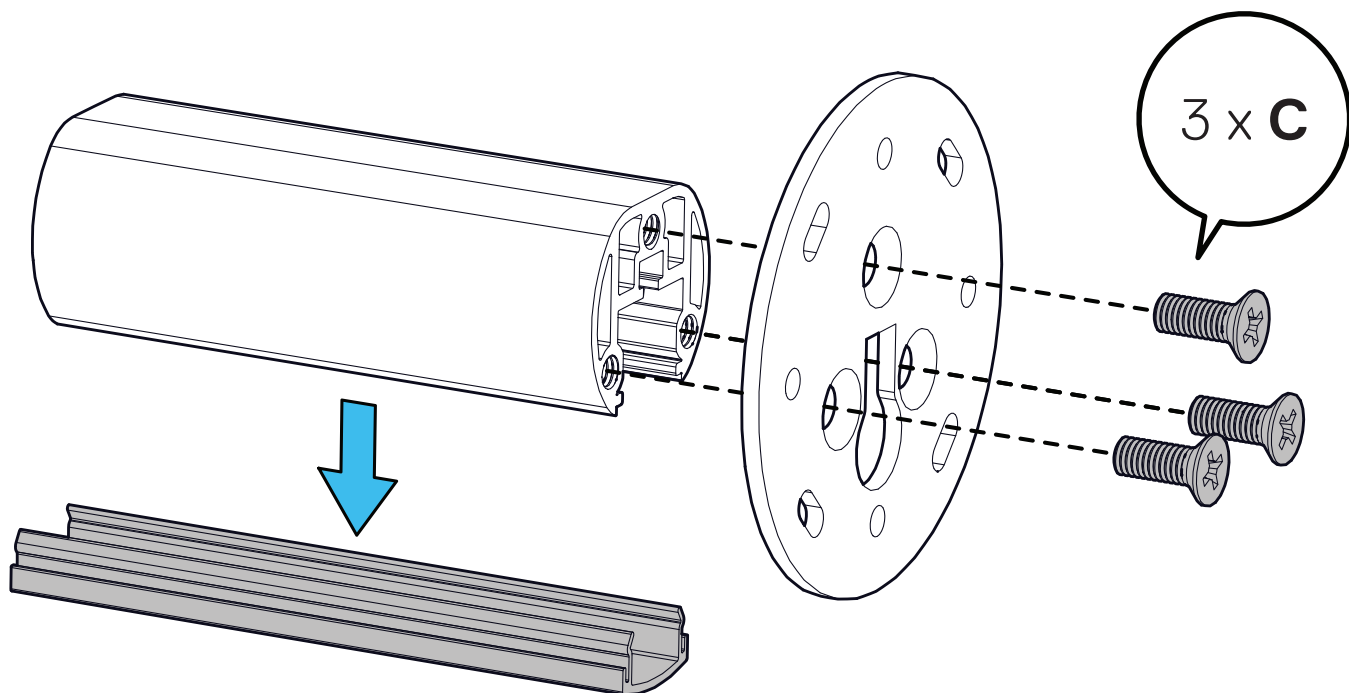
STEP 2_{/13}



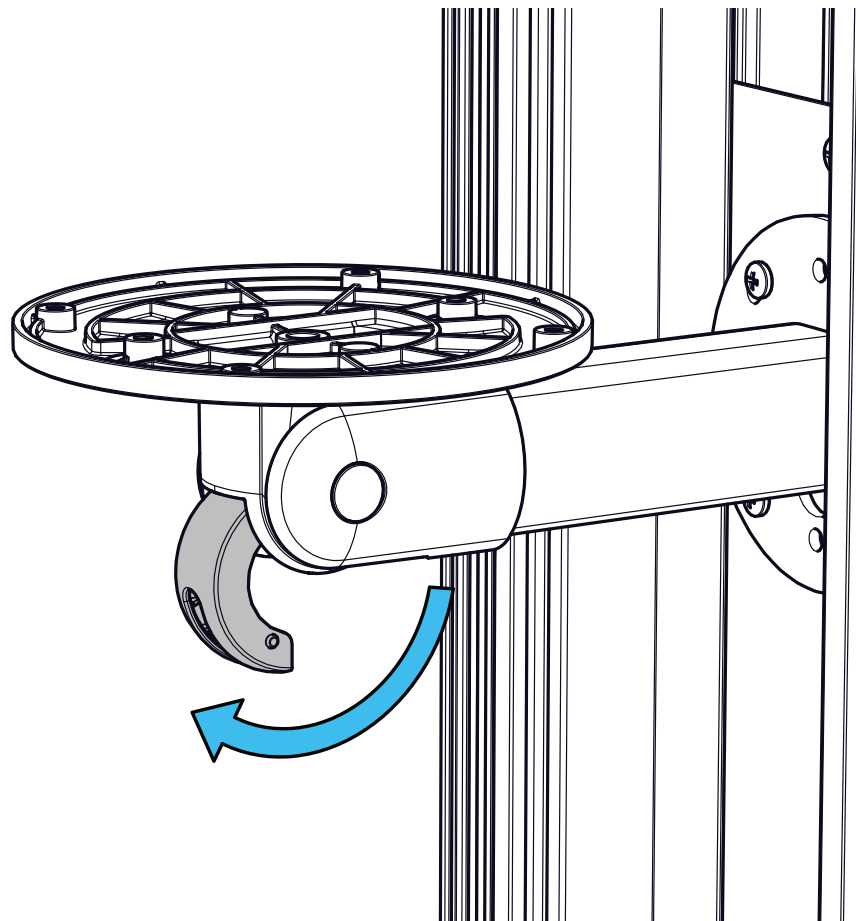
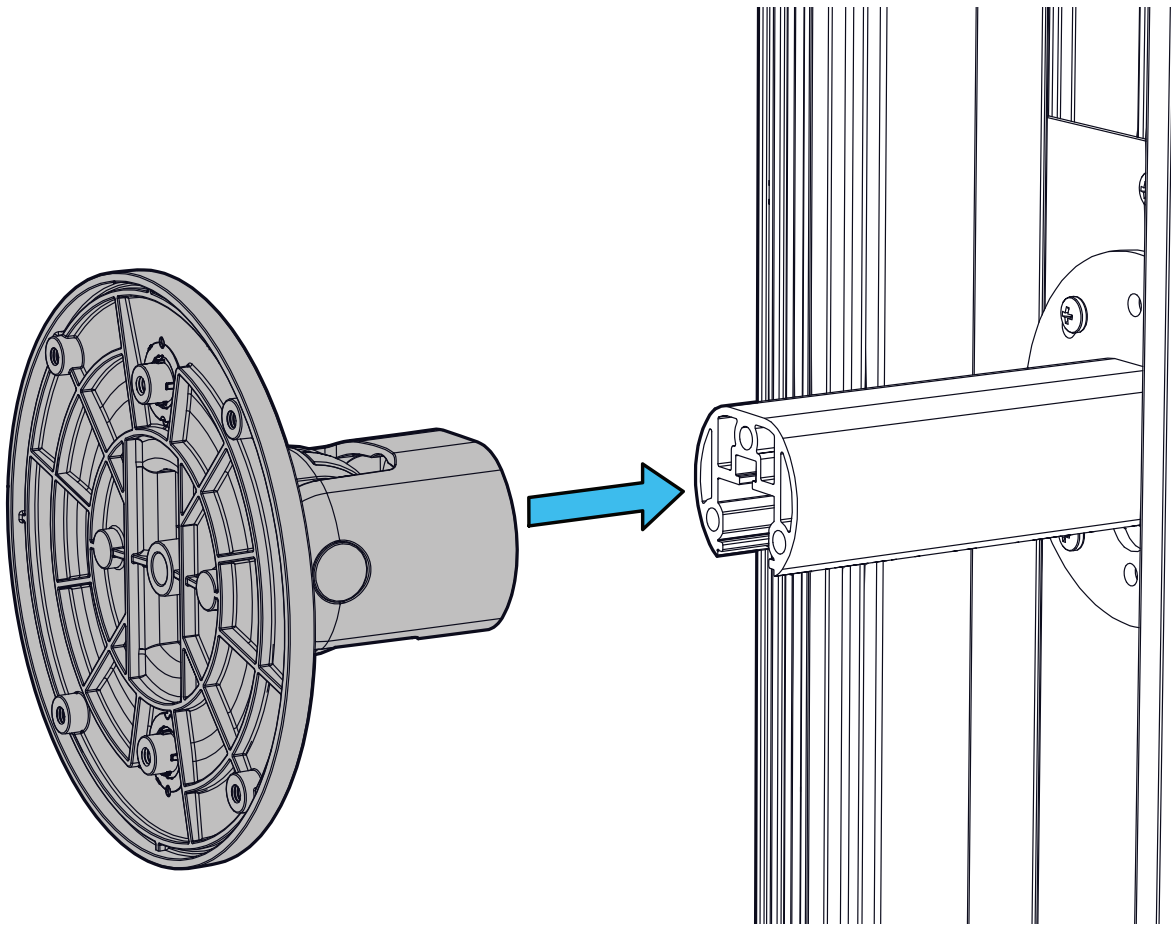
STEP 3/13



STEP 4/13

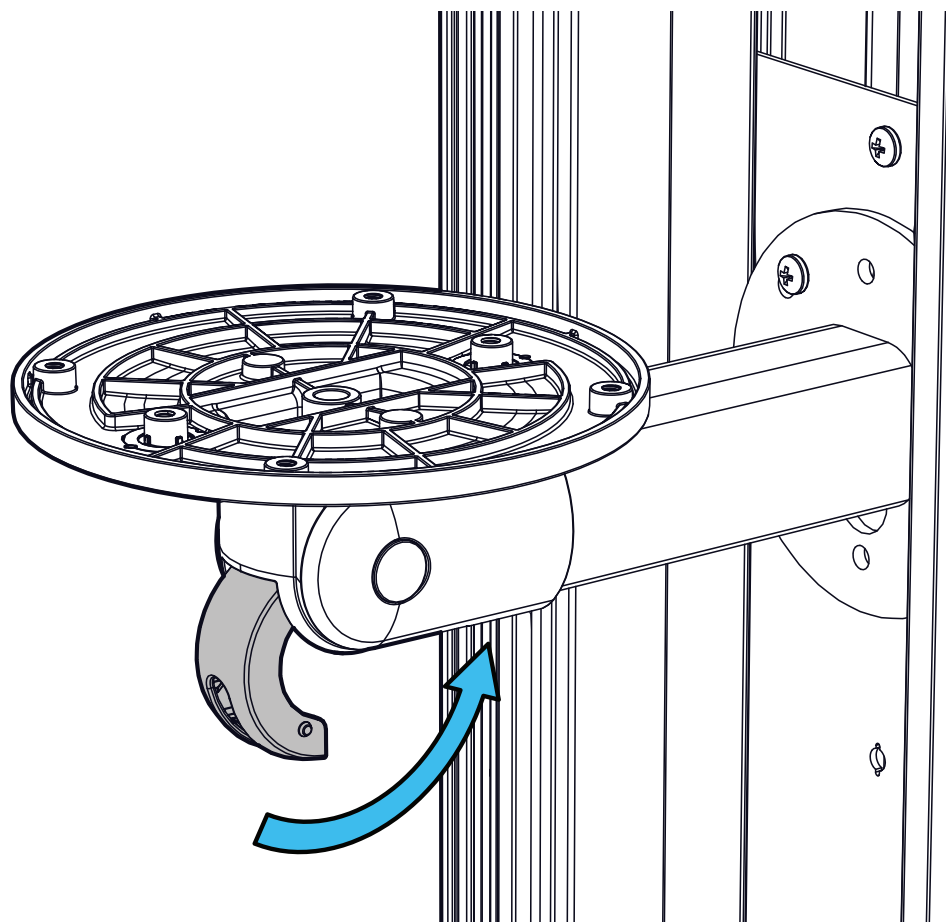
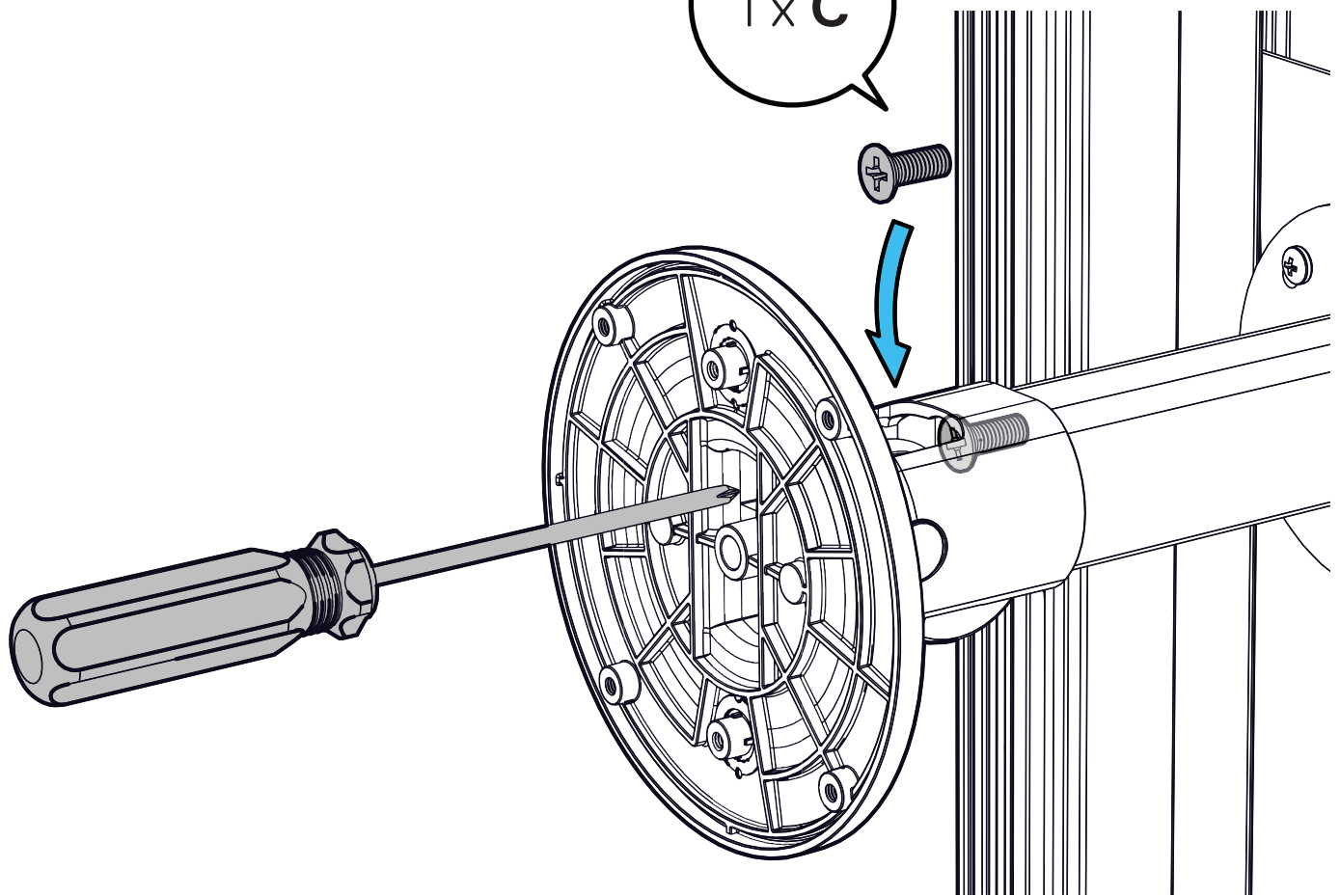


STEP 5_{/13}

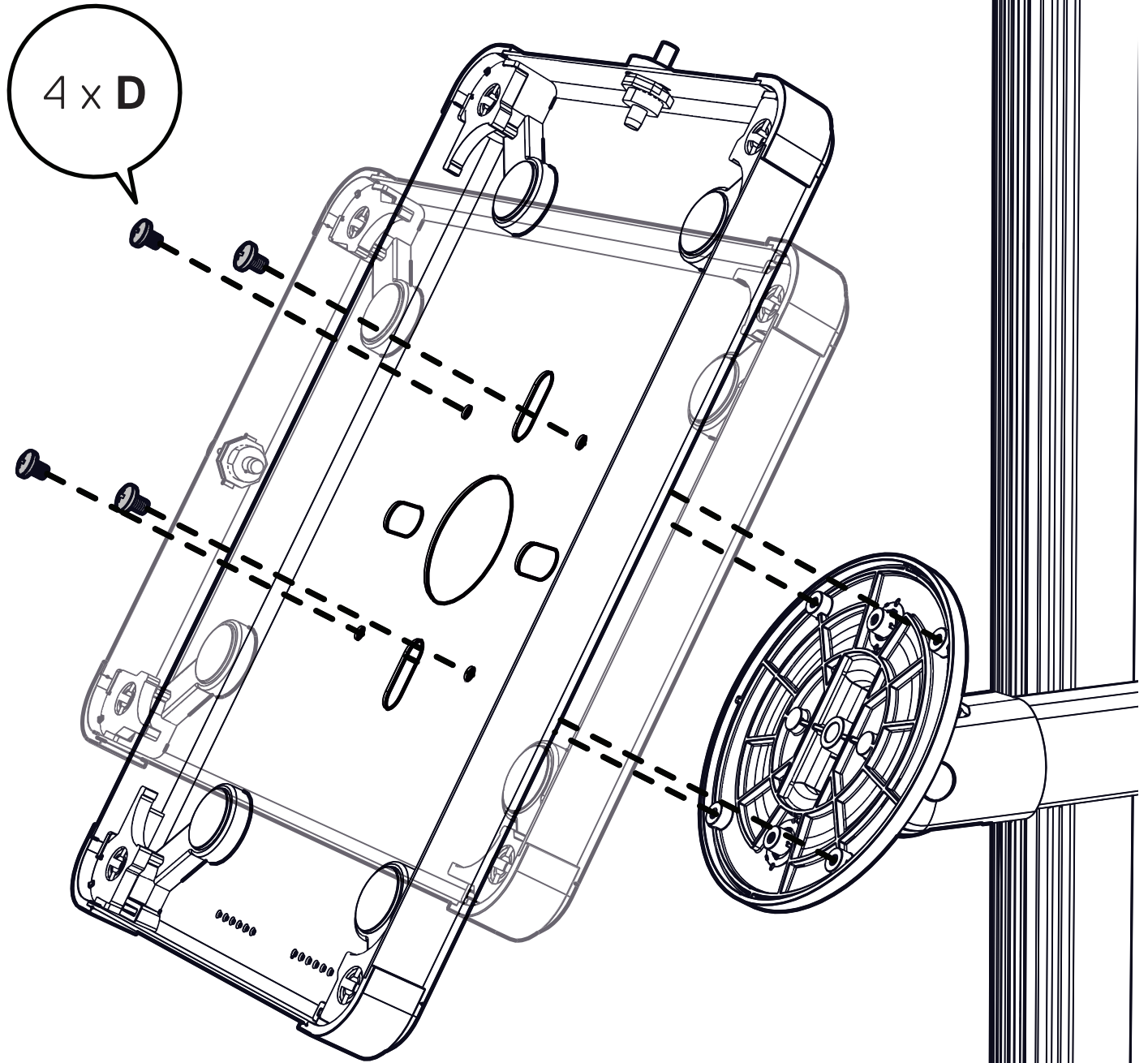


STEP 6/13

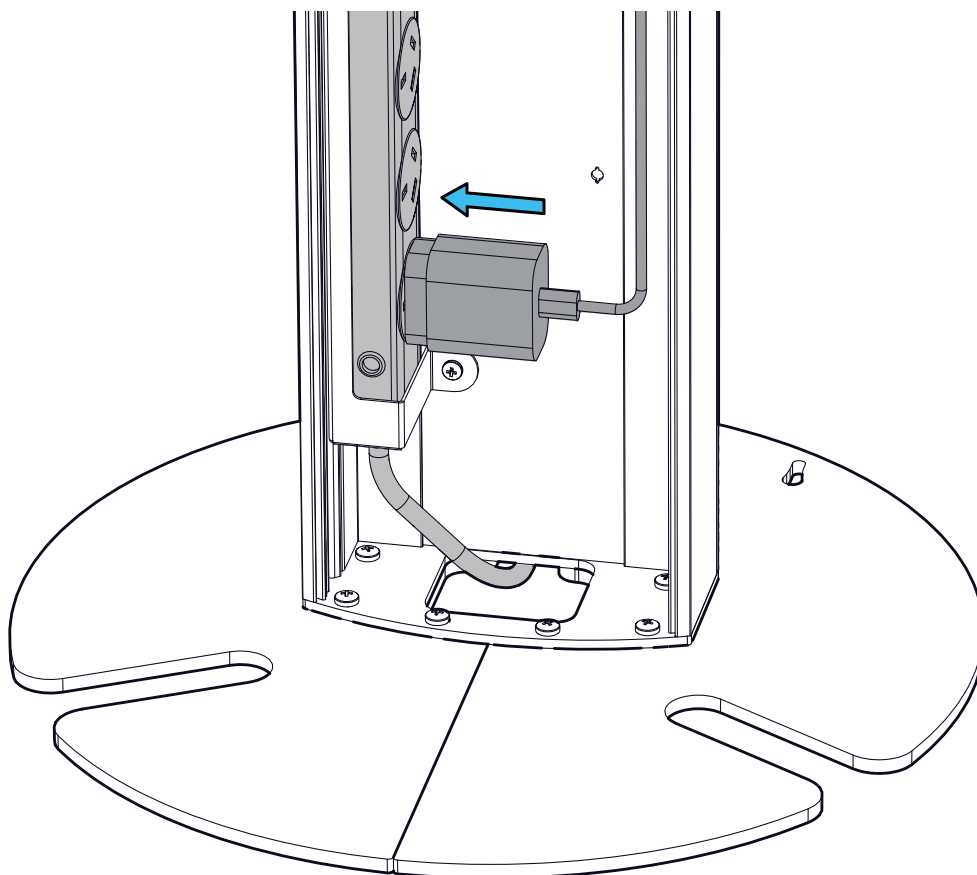
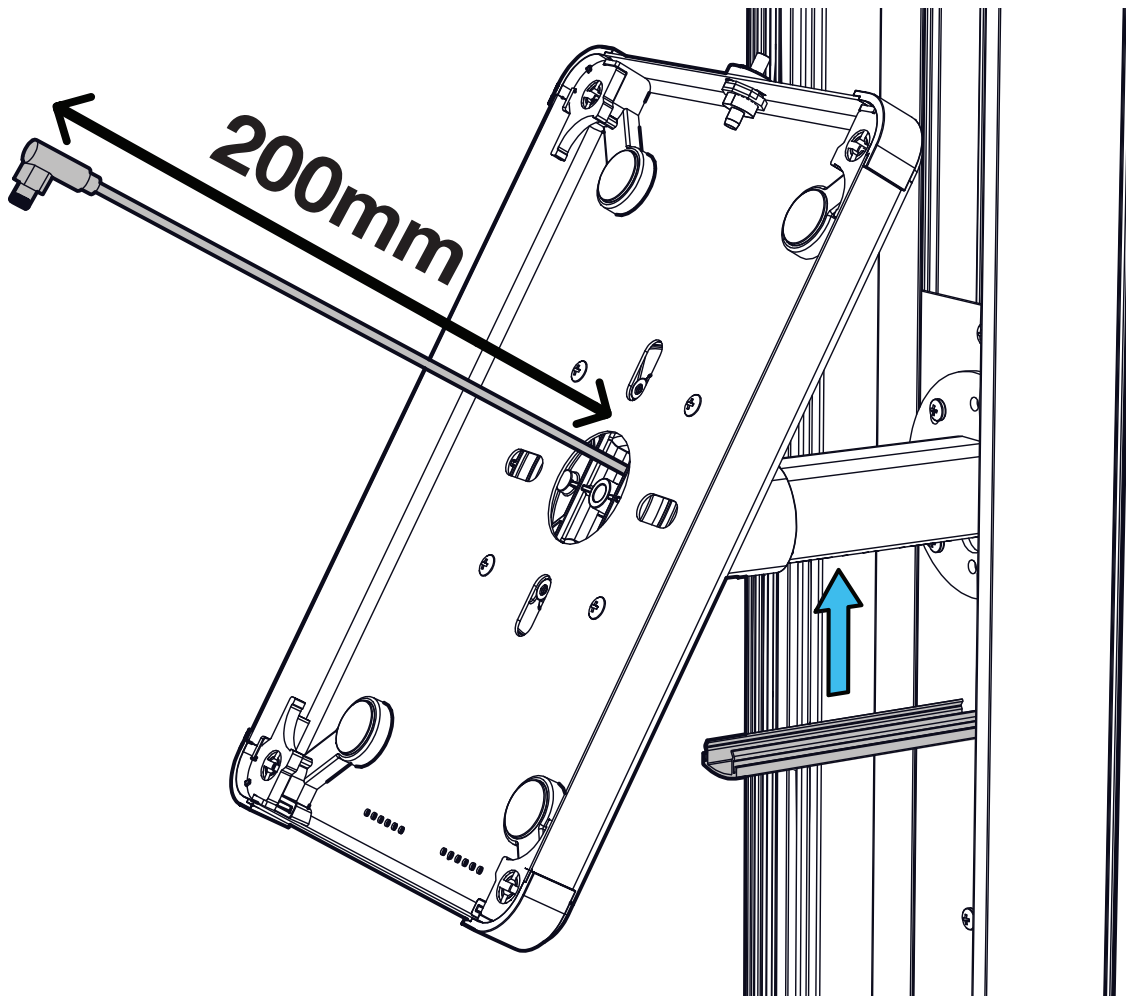
1 x C



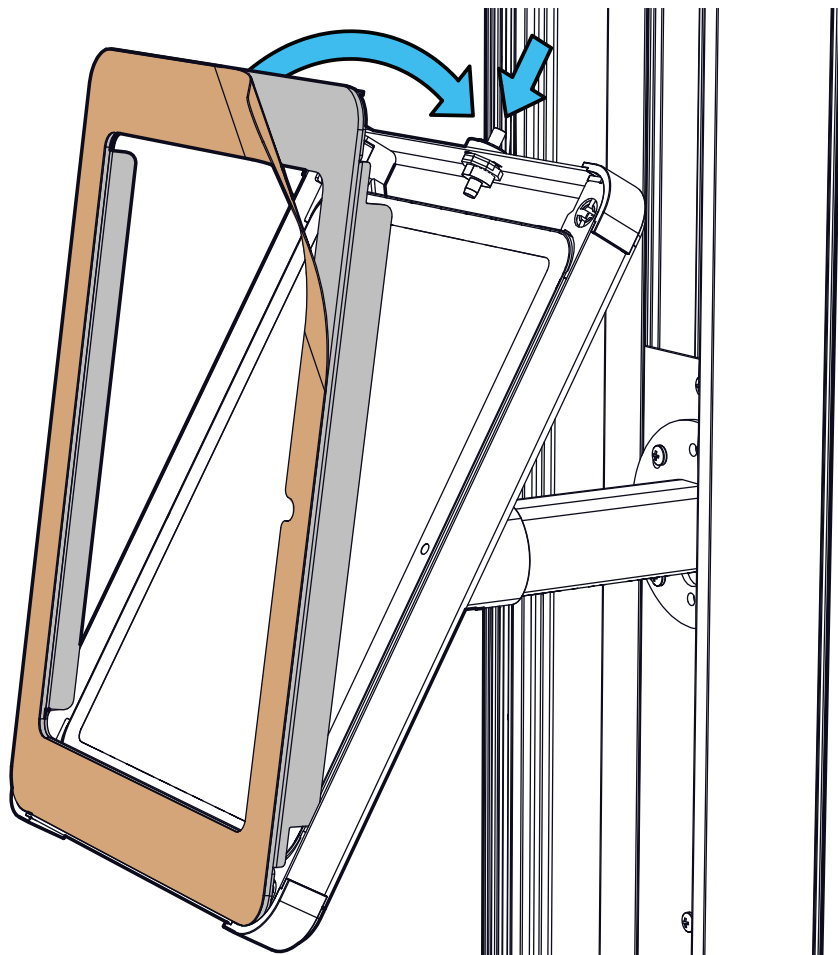
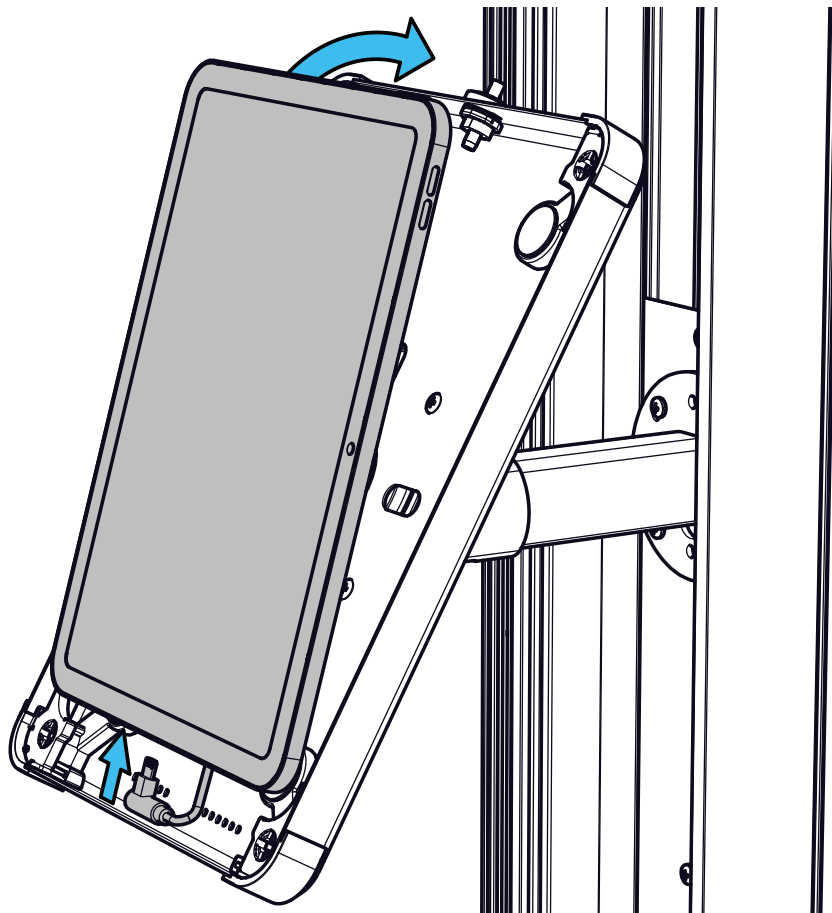
STEP 7 /13



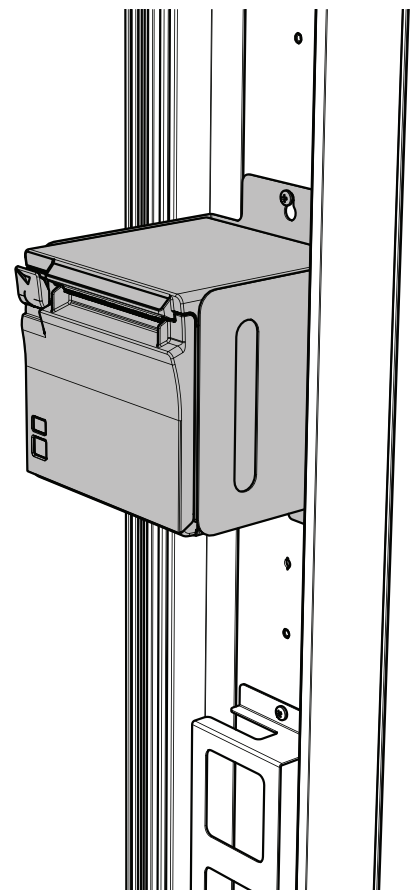
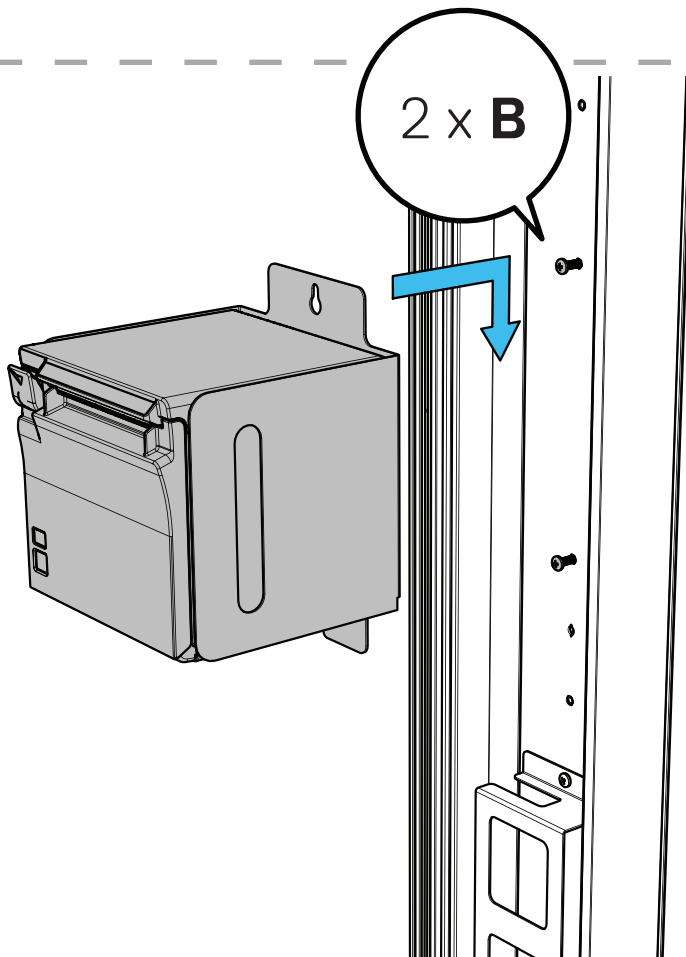
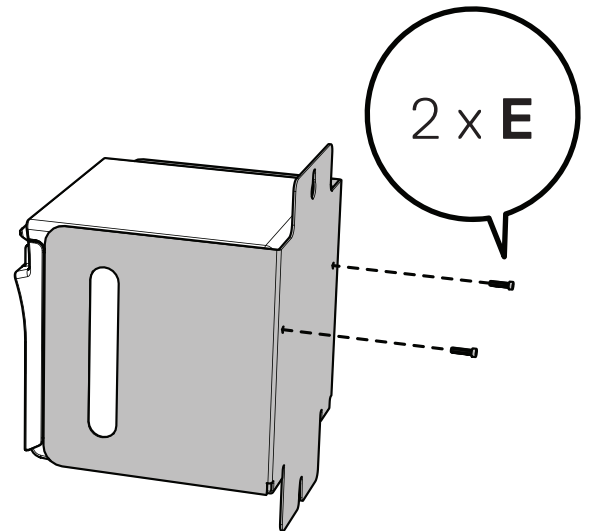
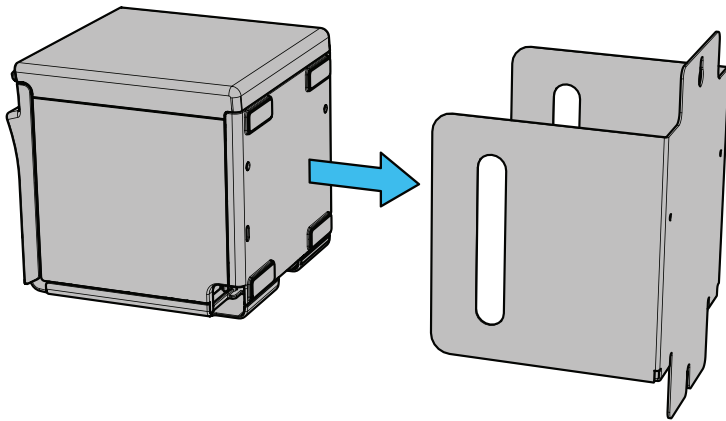
STEP 8/13



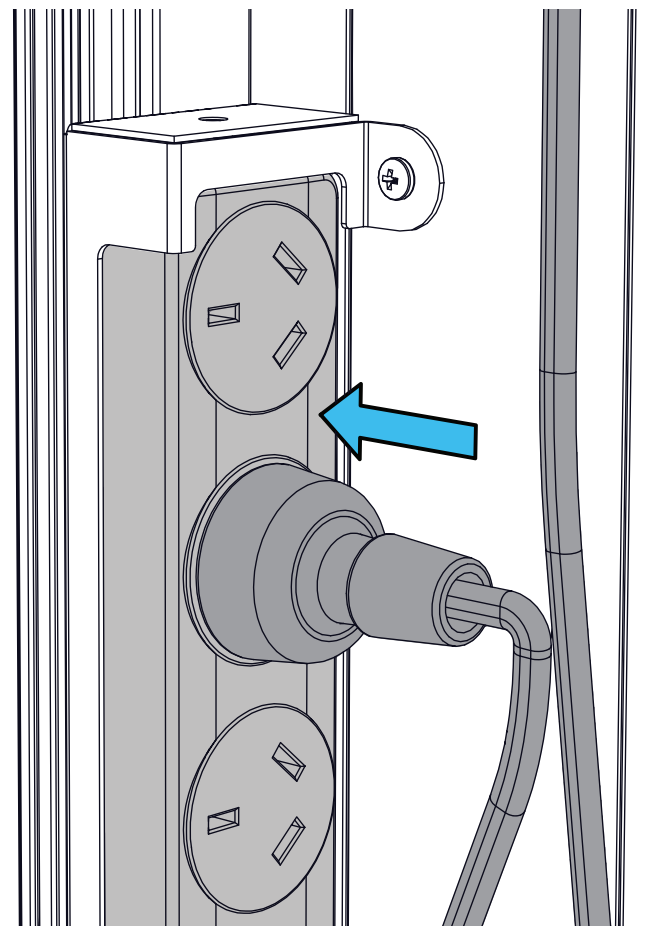
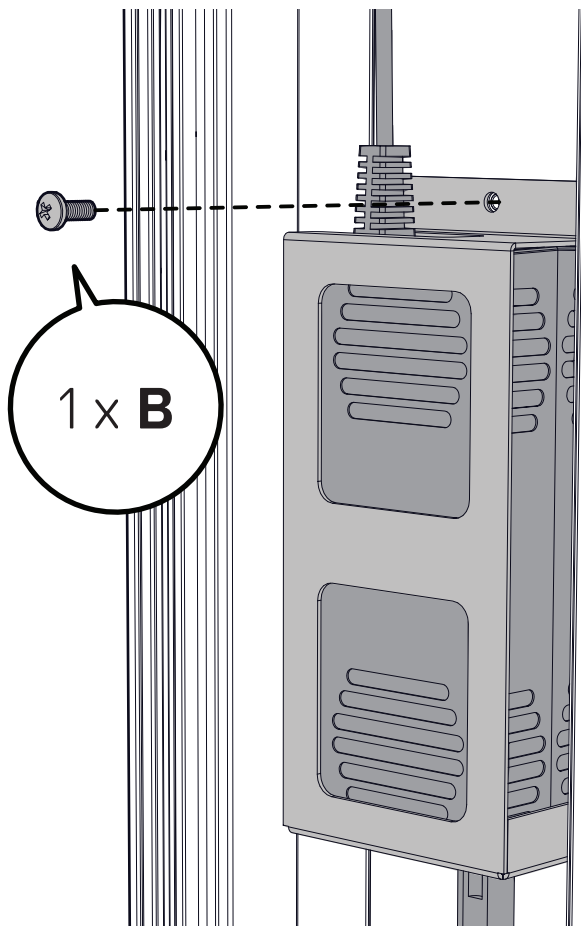
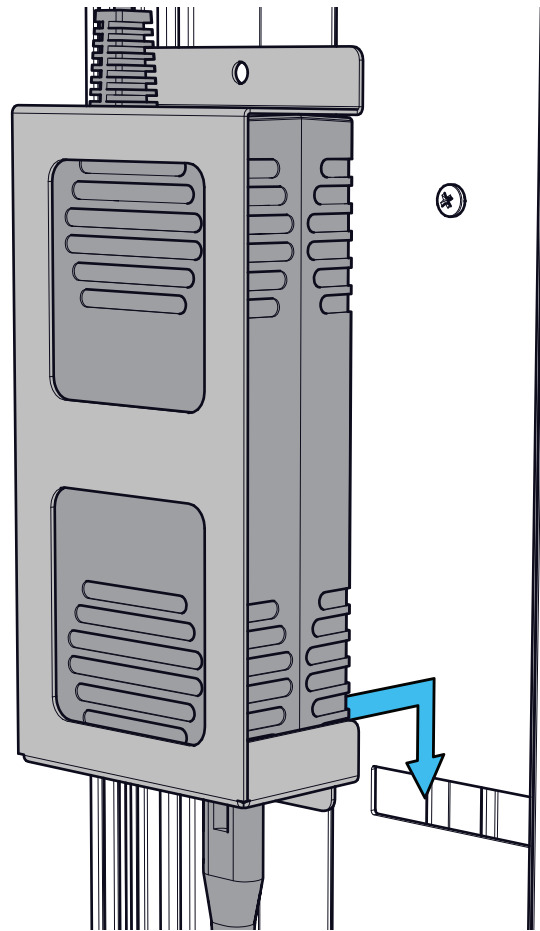
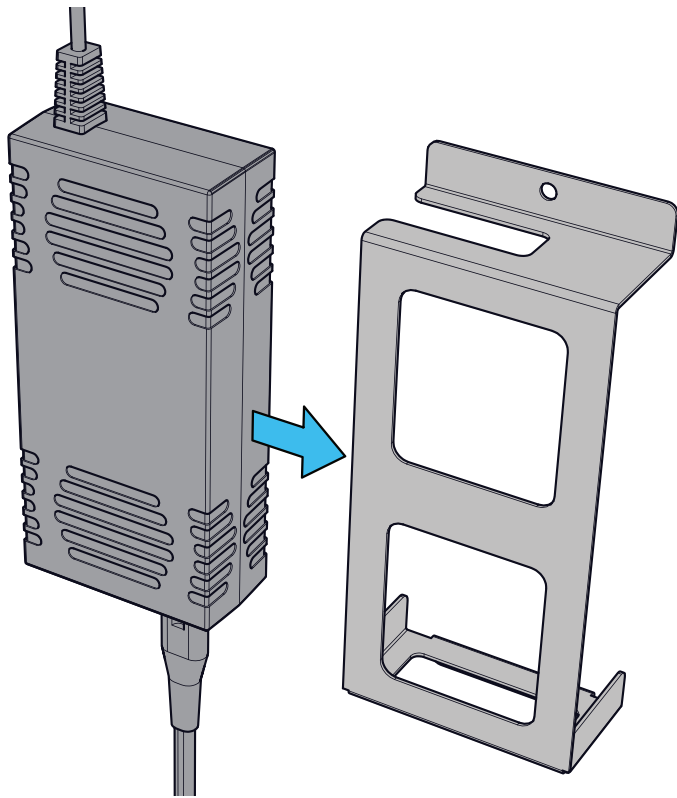
STEP 9/13



STEP 10_{/13}



STEP 11/13



STEP 12_{/13}

