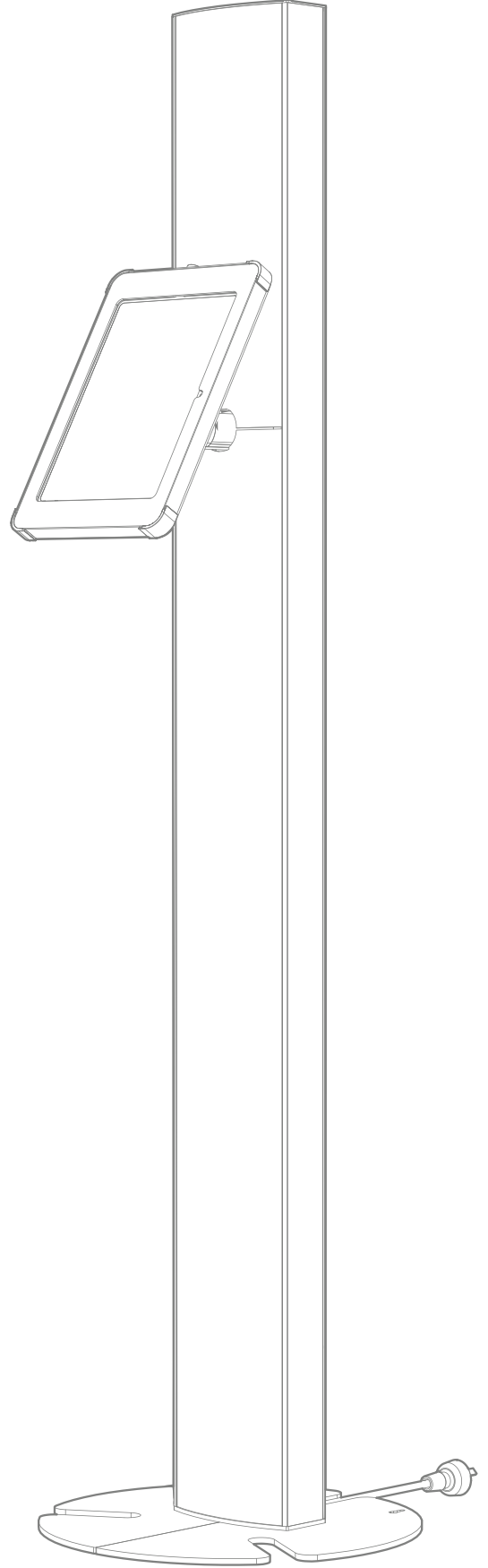
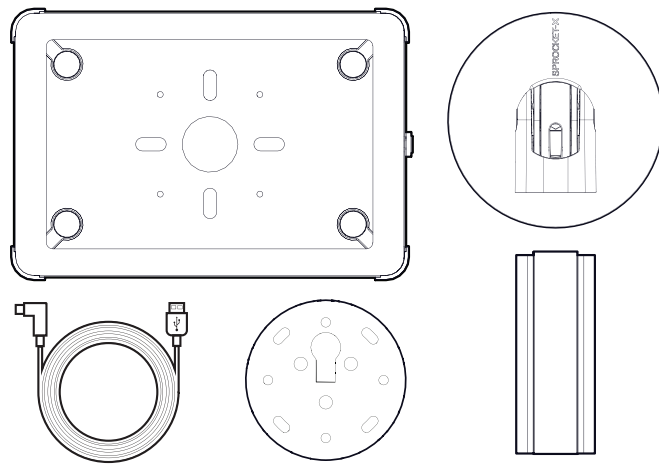
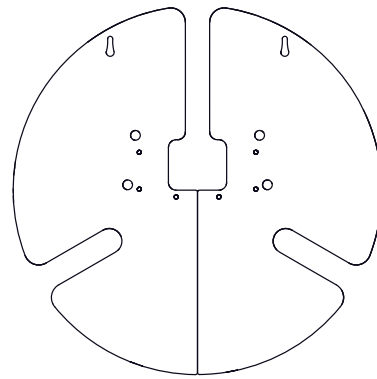
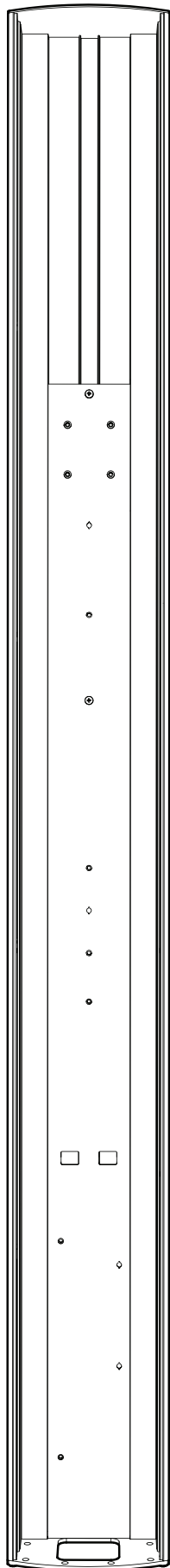

T Series Totem 15






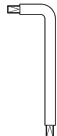

Version 1.0

SPROCKET
Assembly Guide

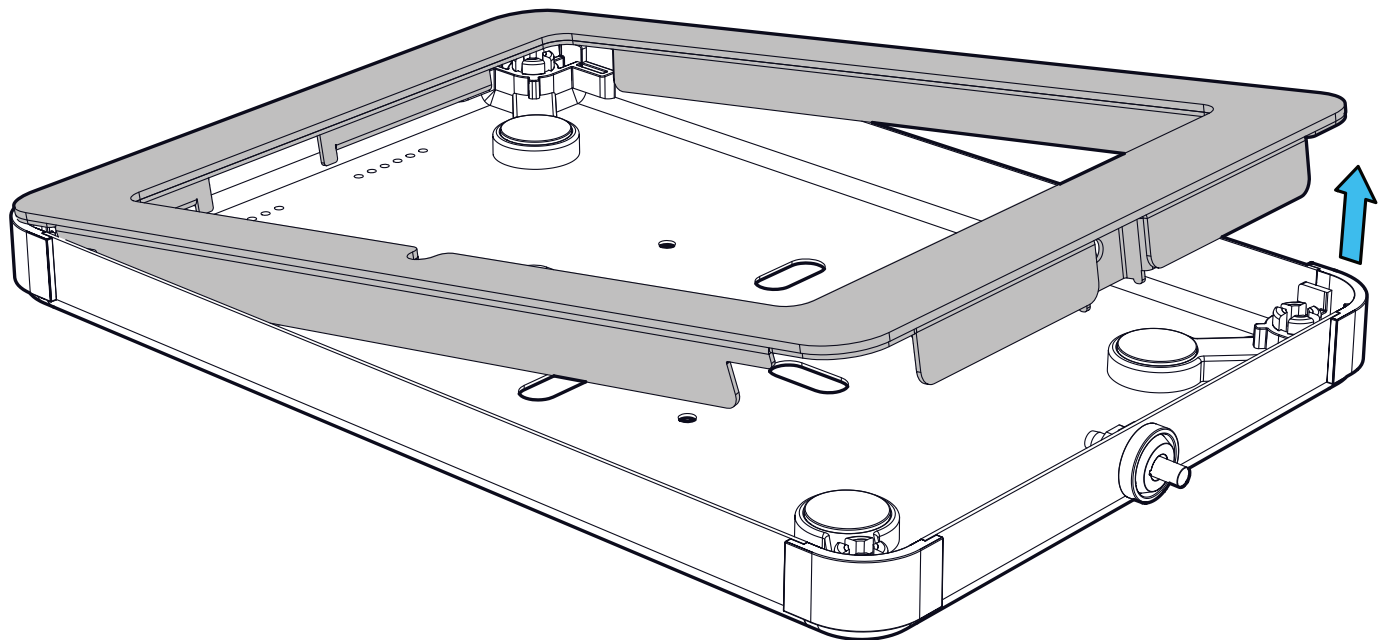
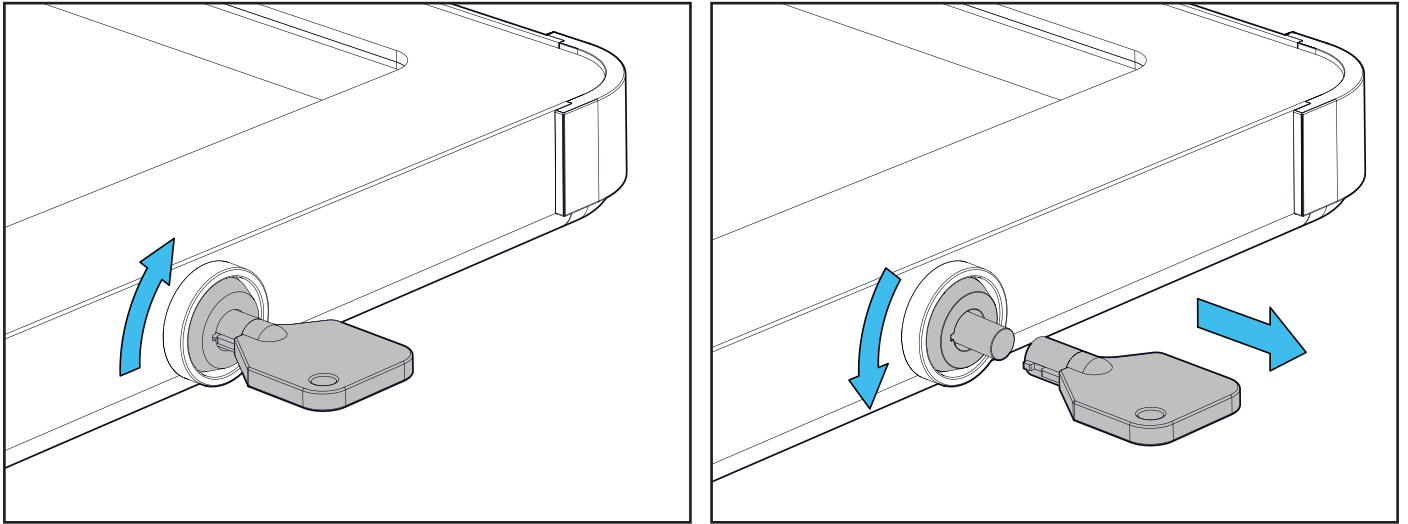
SPROCKET



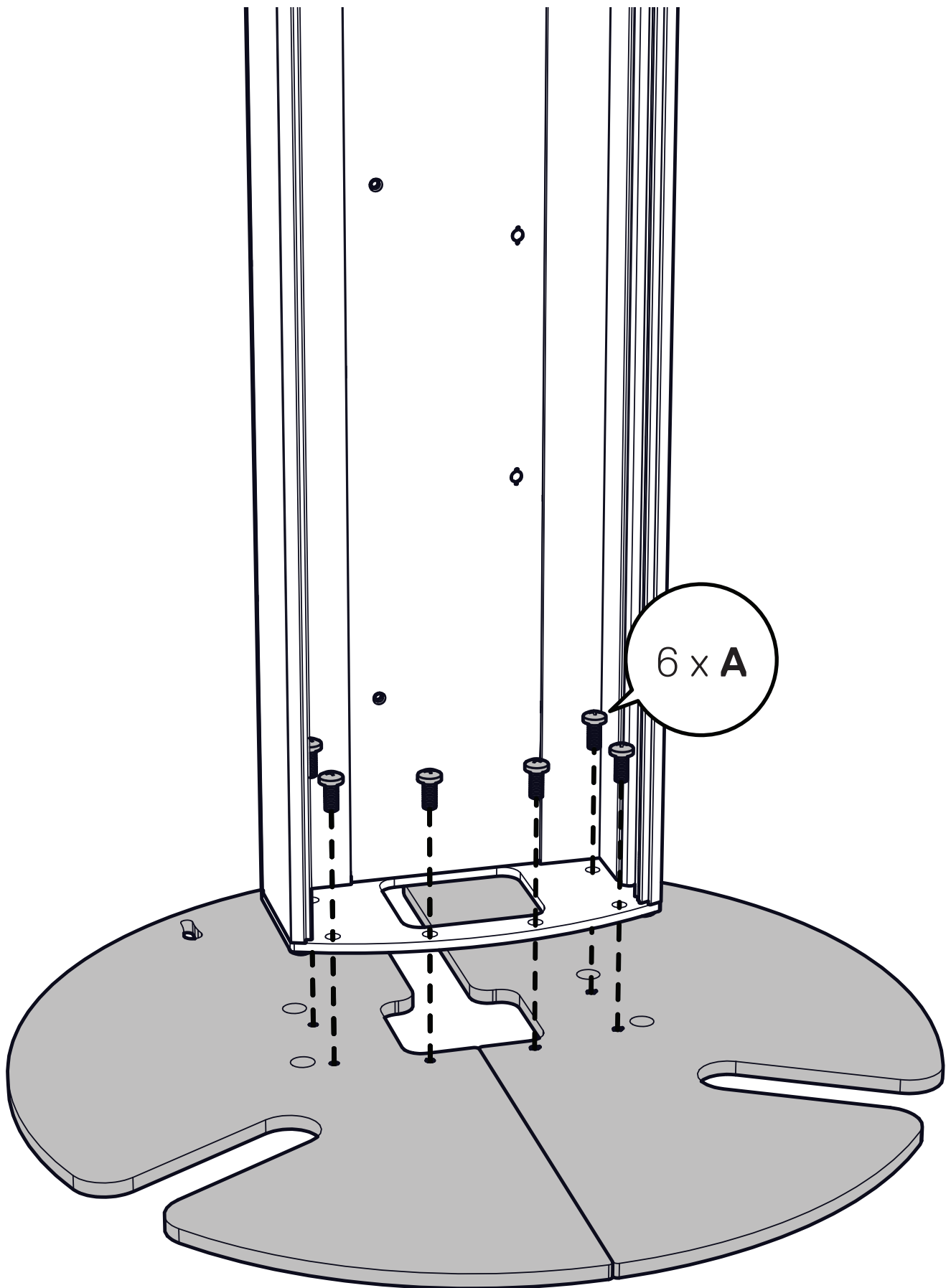


| A | B | C | D | E | F | G |
|---|---|---|--|---|---|---|
|  |  |  |  |  |  |  |
| M5x10 | M4x10 | M6x16 | M4x6 | M3x8 | | |
| x6 | x9 | x4 | x4 | x4 | x1 | x1 |

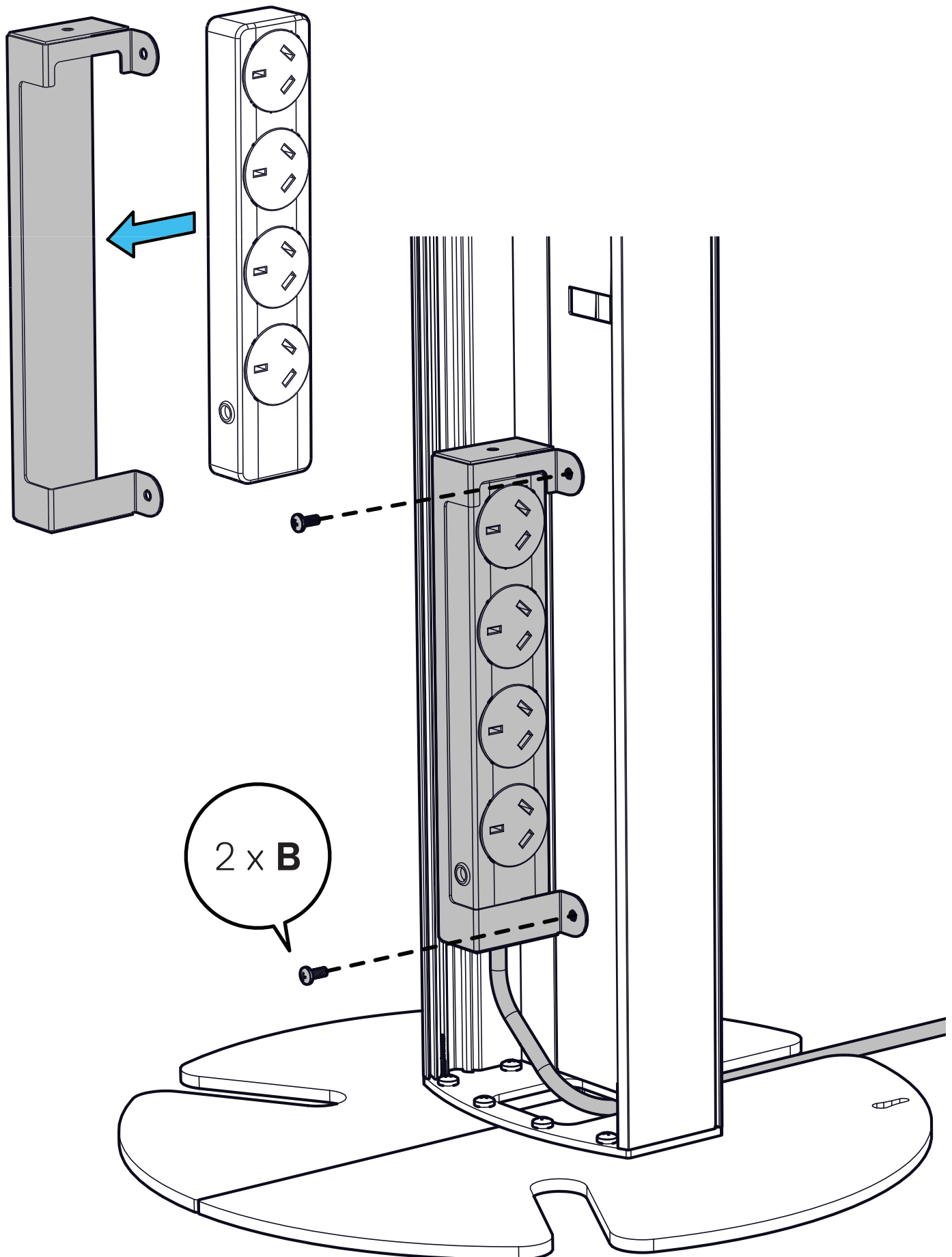
STEP 1/10



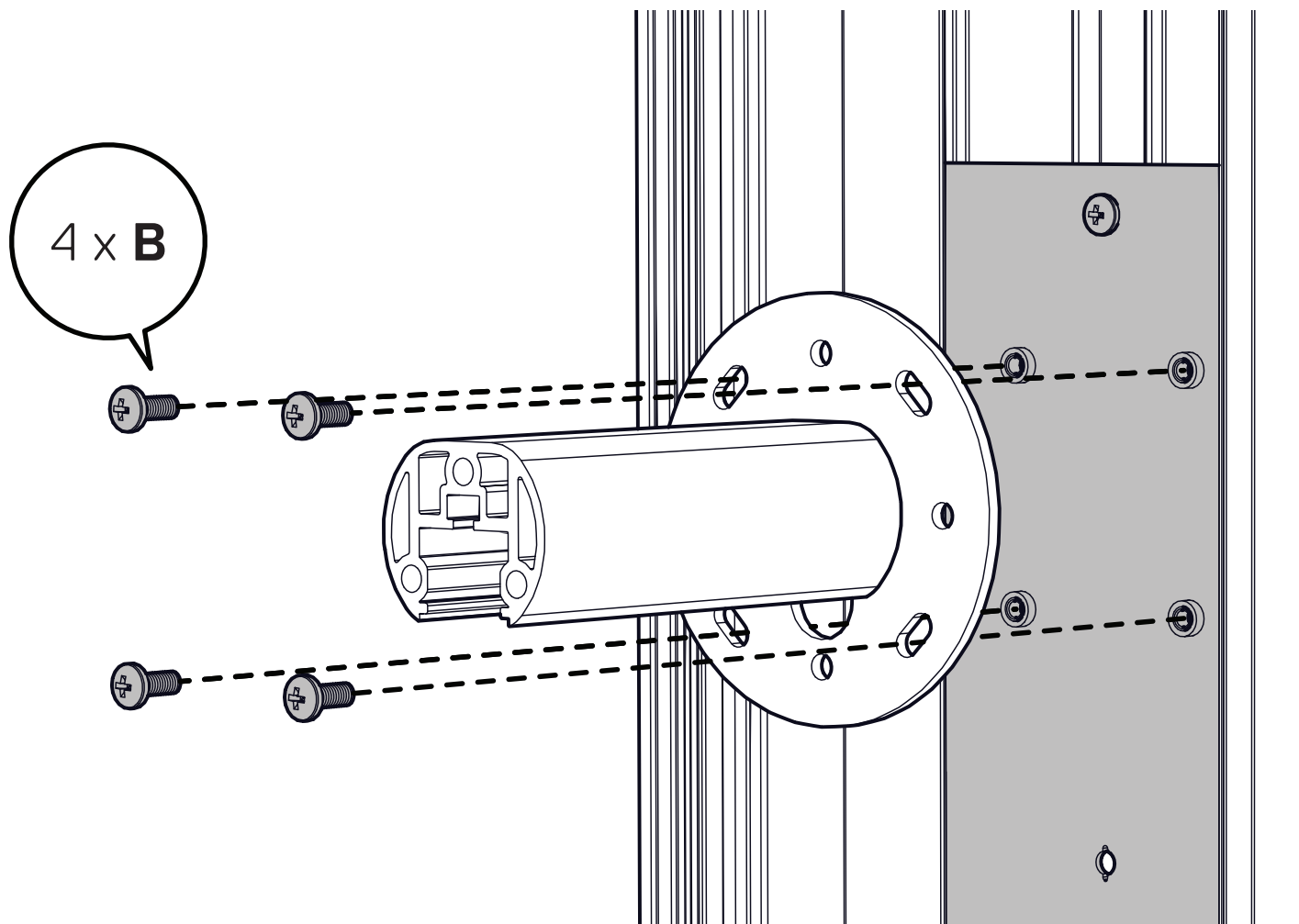
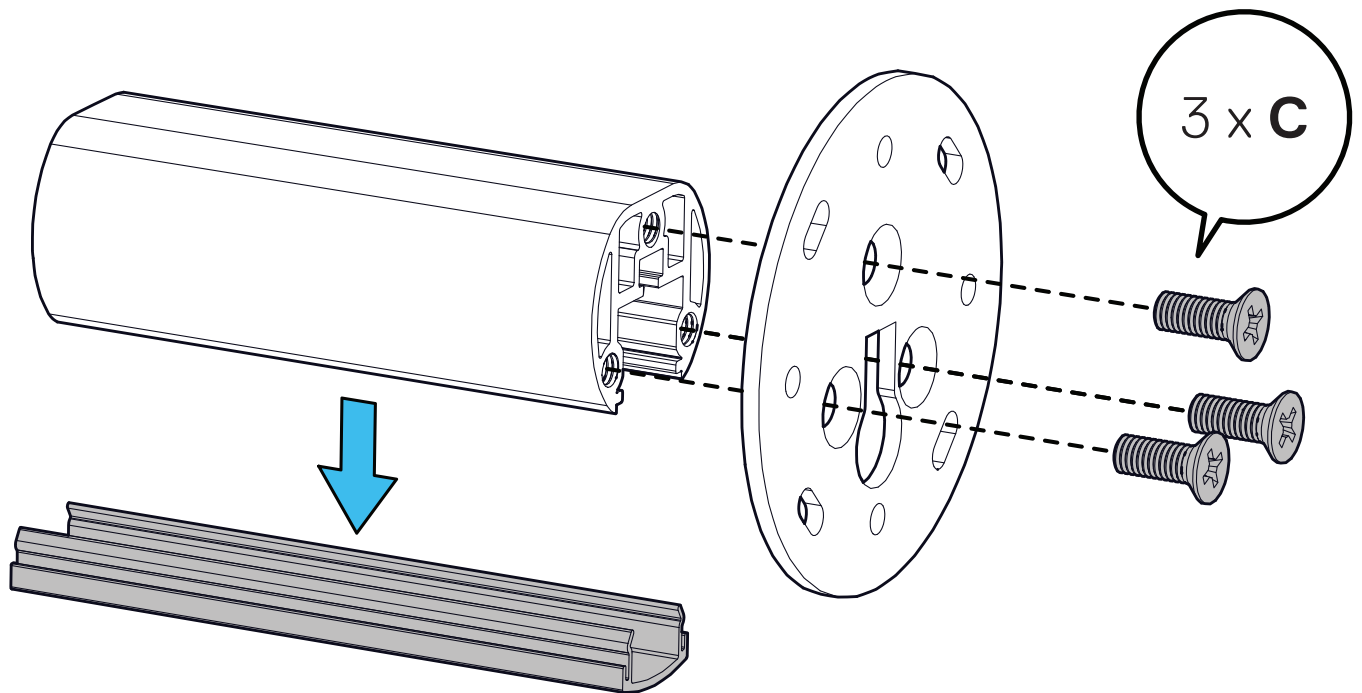
STEP 2_{/10}



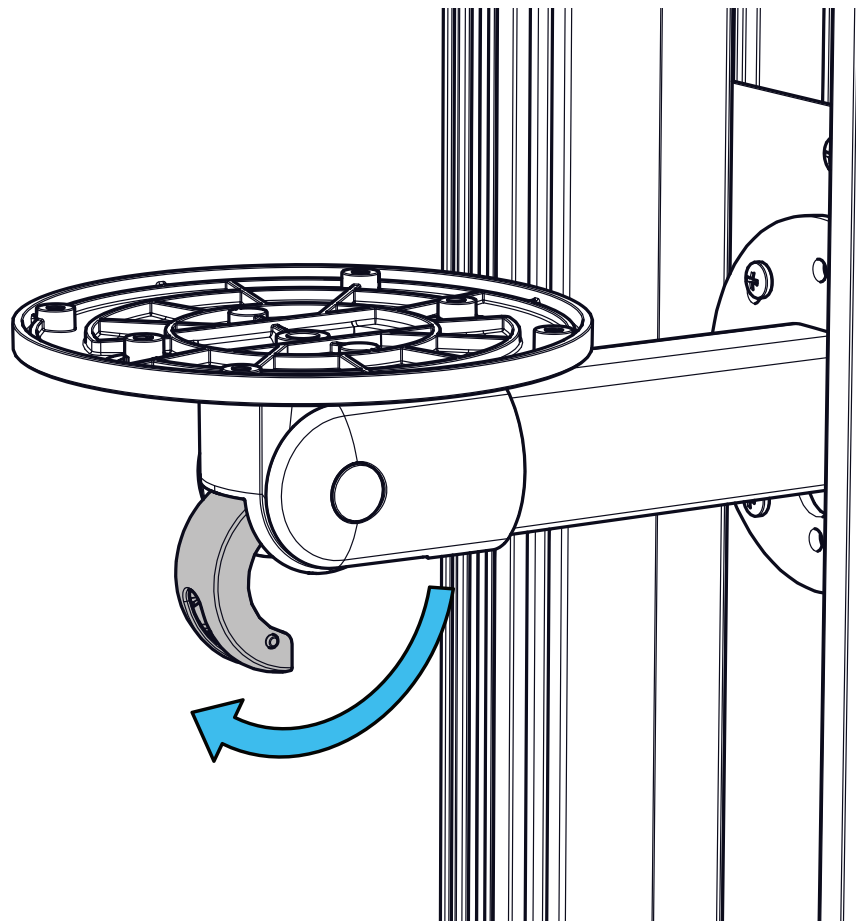
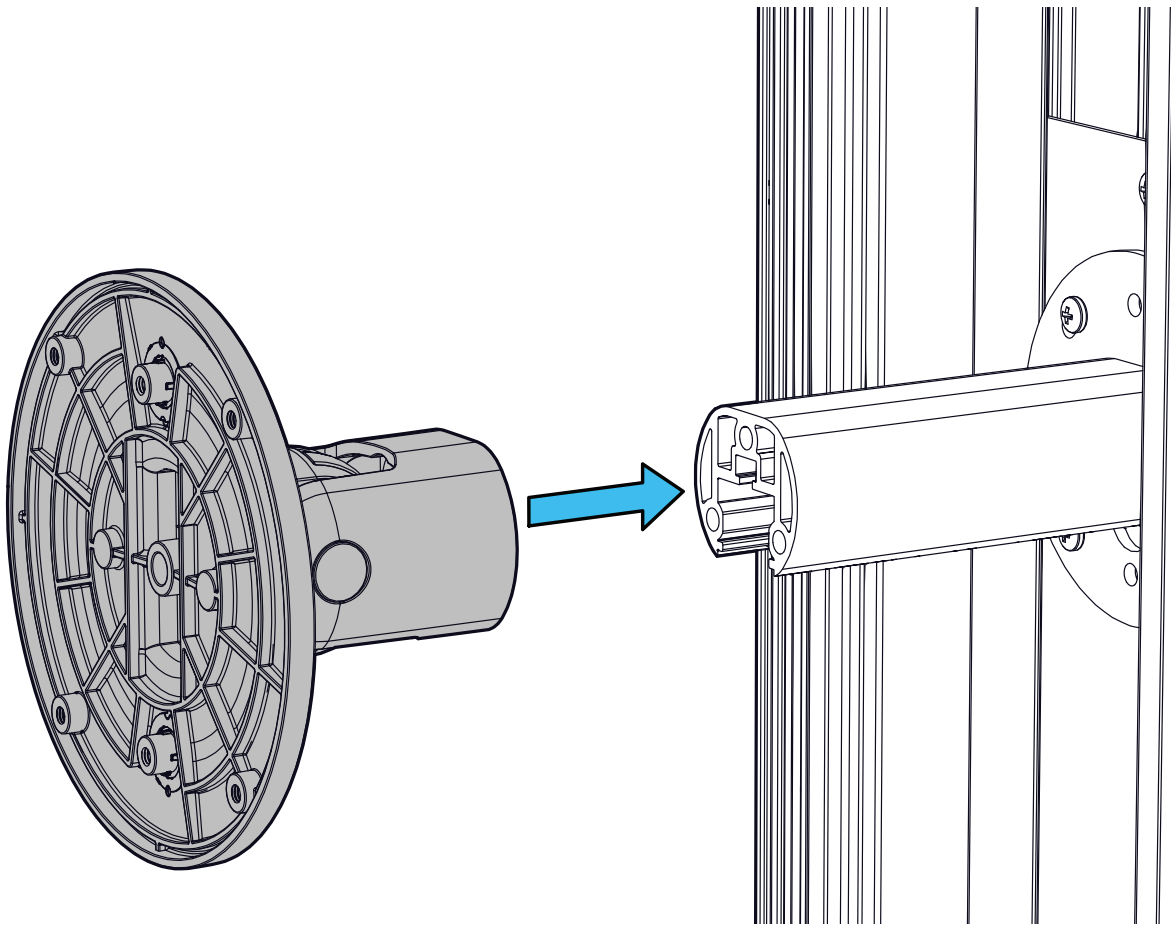
STEP 3/10



STEP 4/10

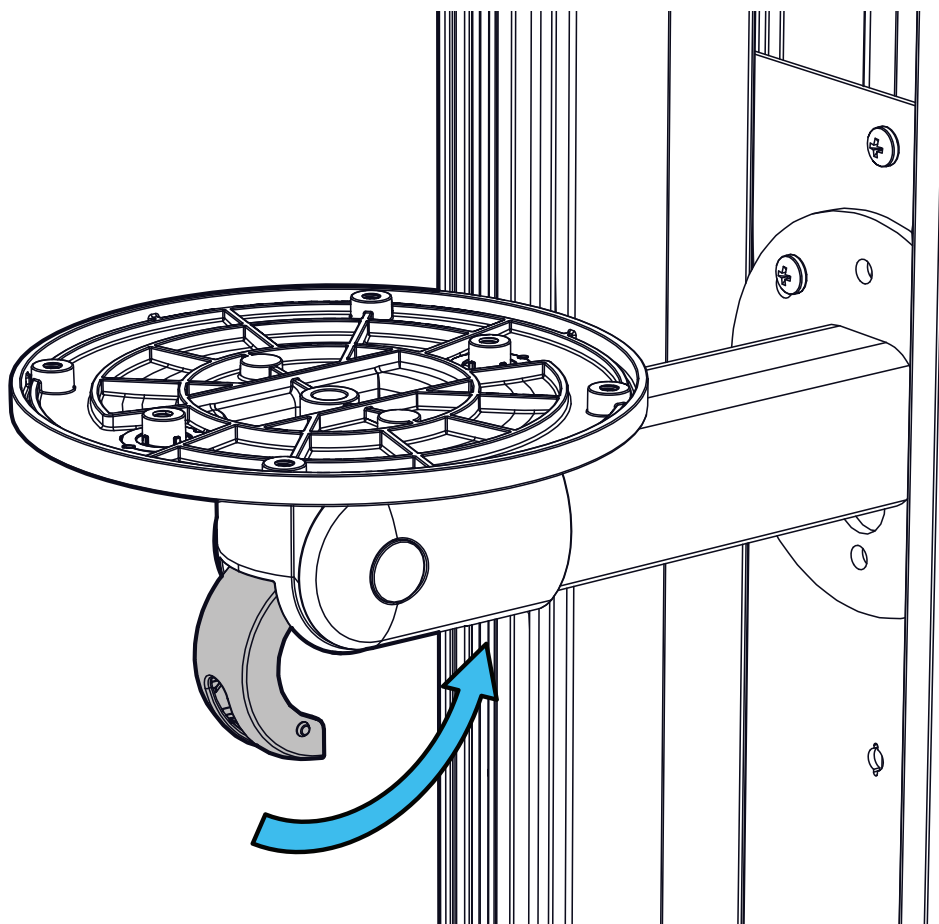
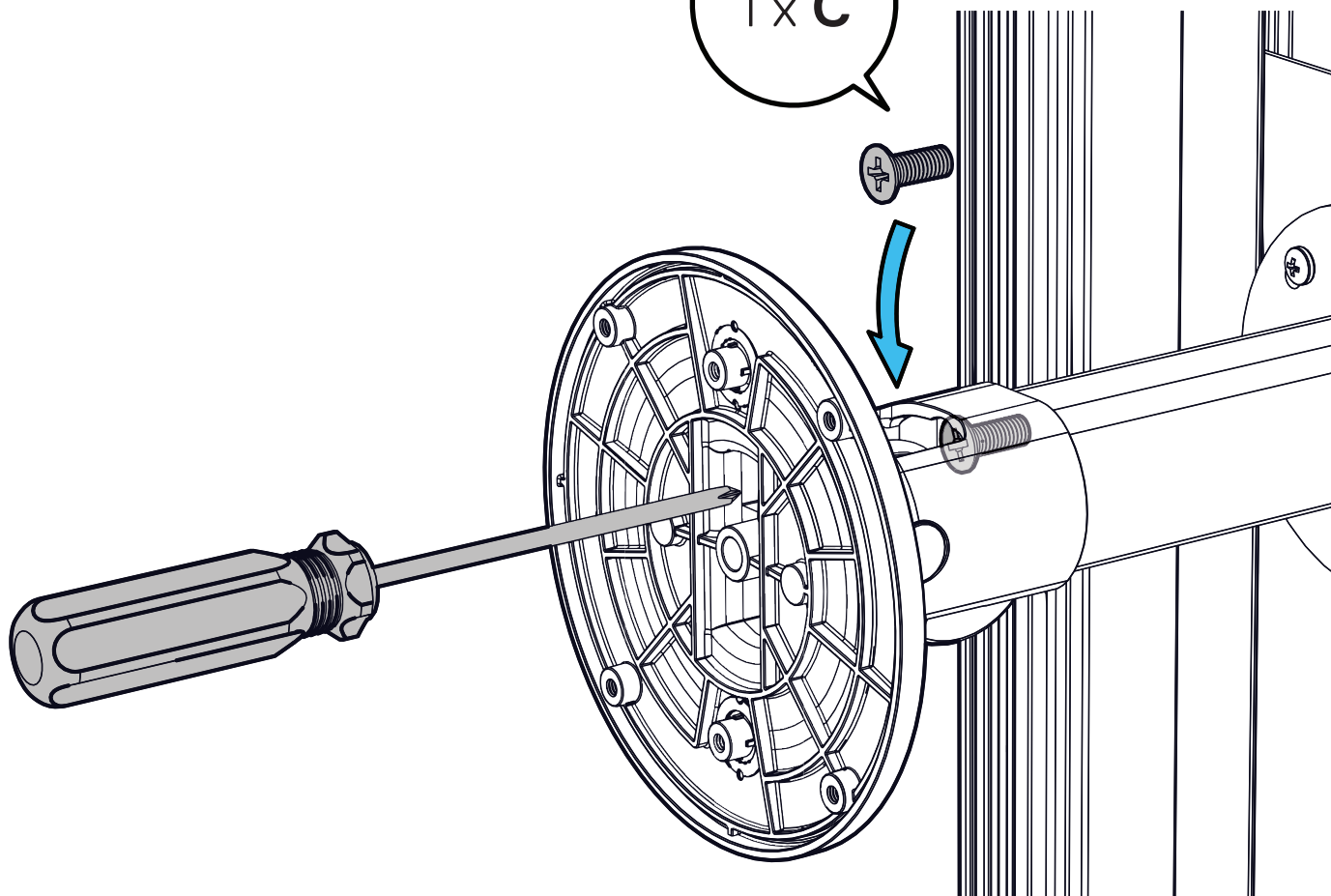


STEP 5/10

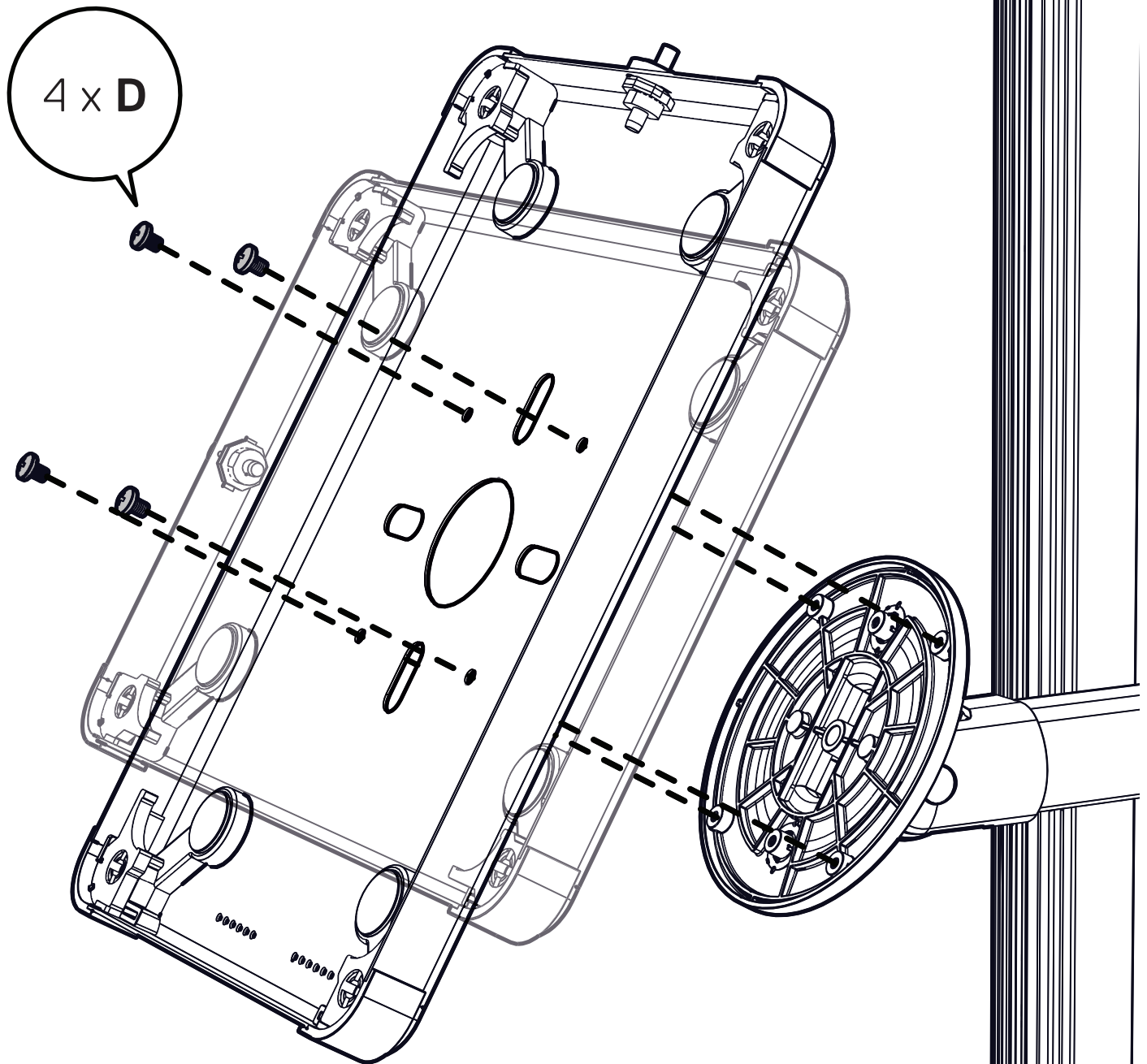


STEP 6/10

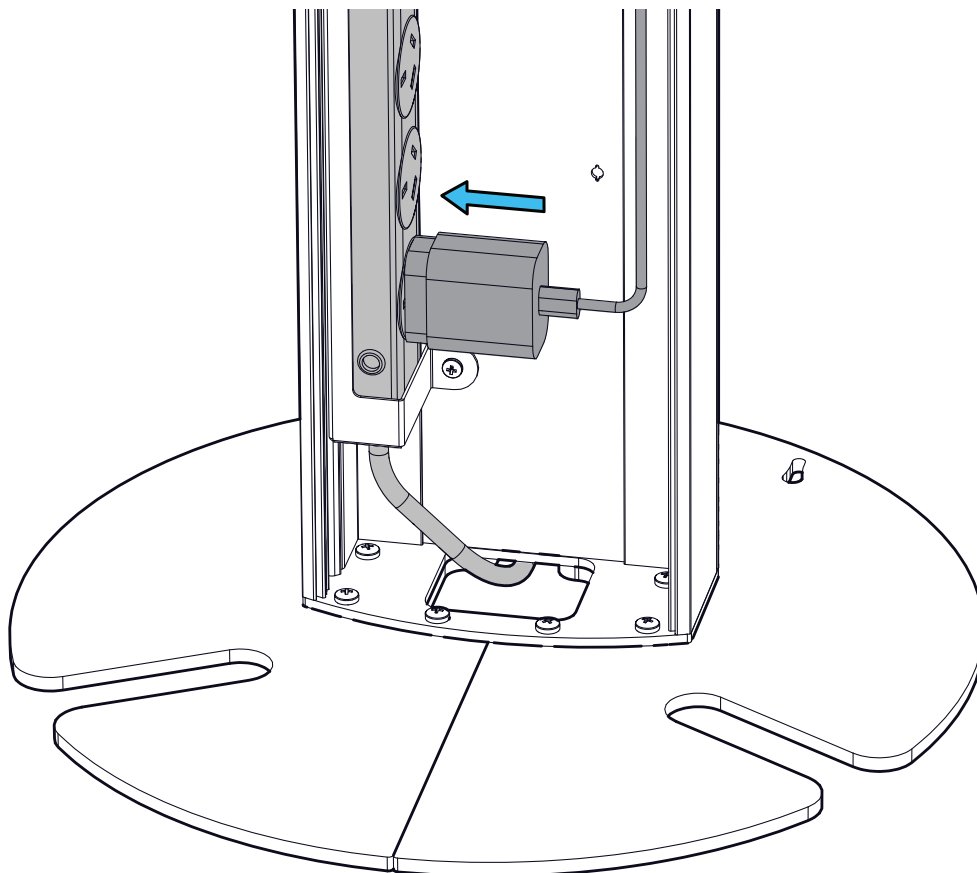
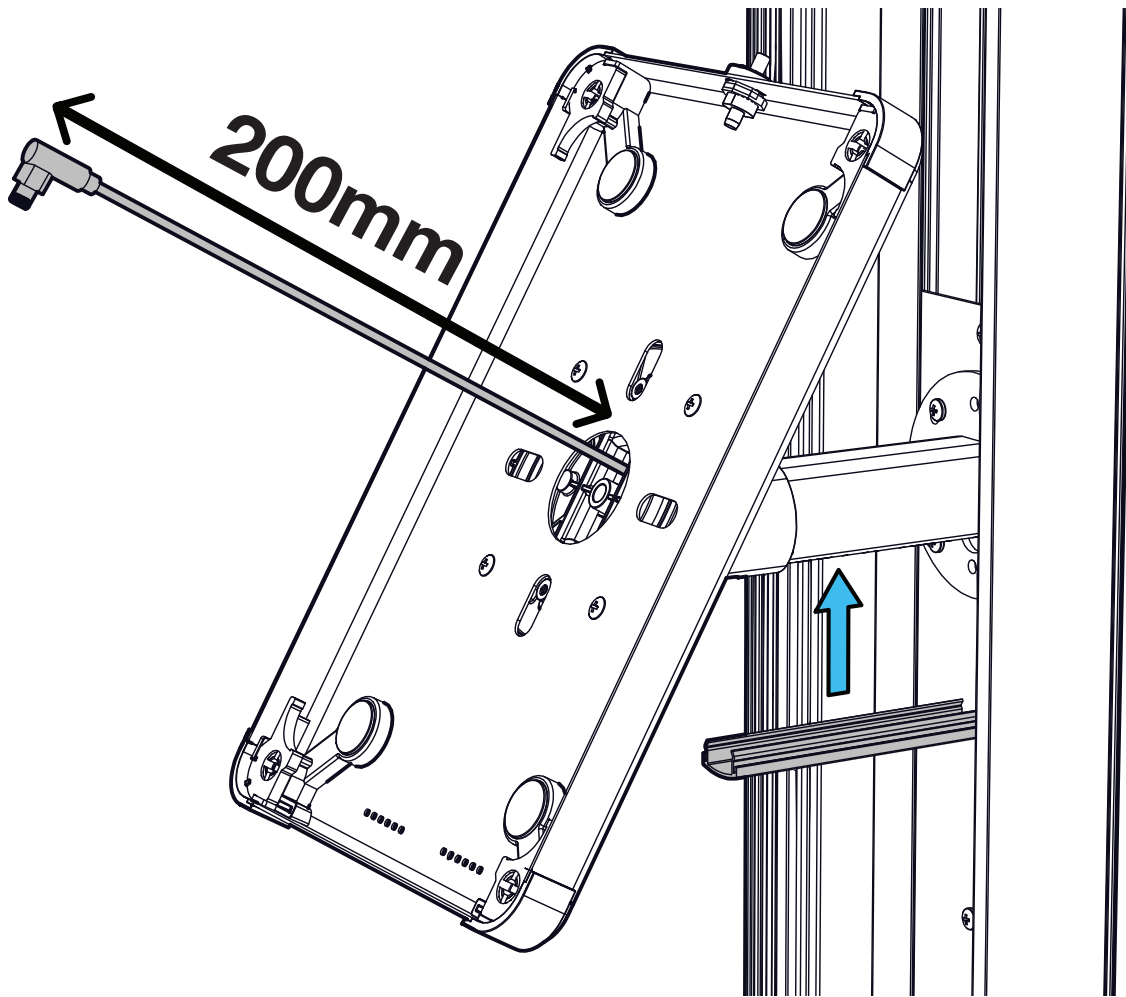
1 x C



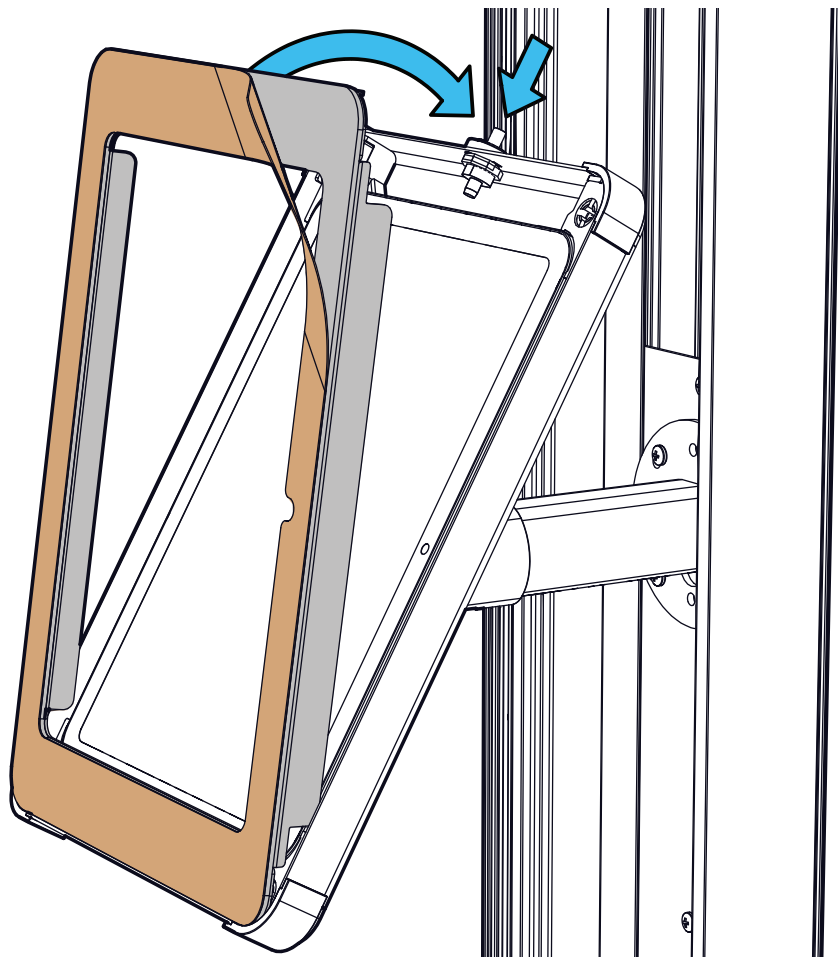
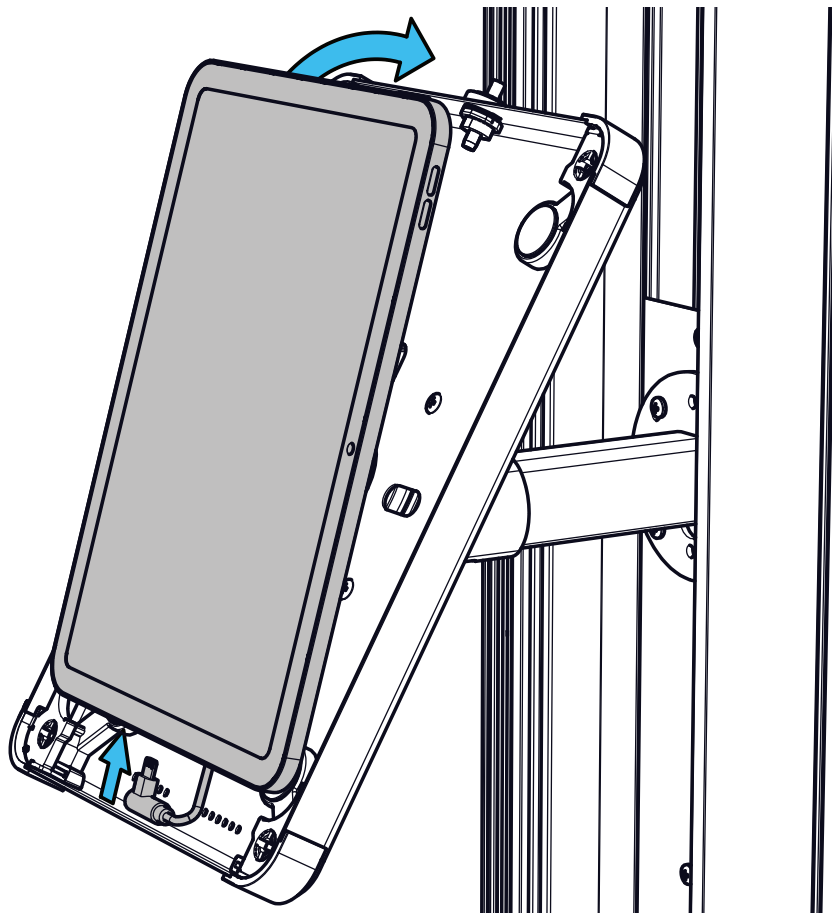
STEP 7 /10



STEP 8/10



STEP 9/10



STEP 10_{/10}

