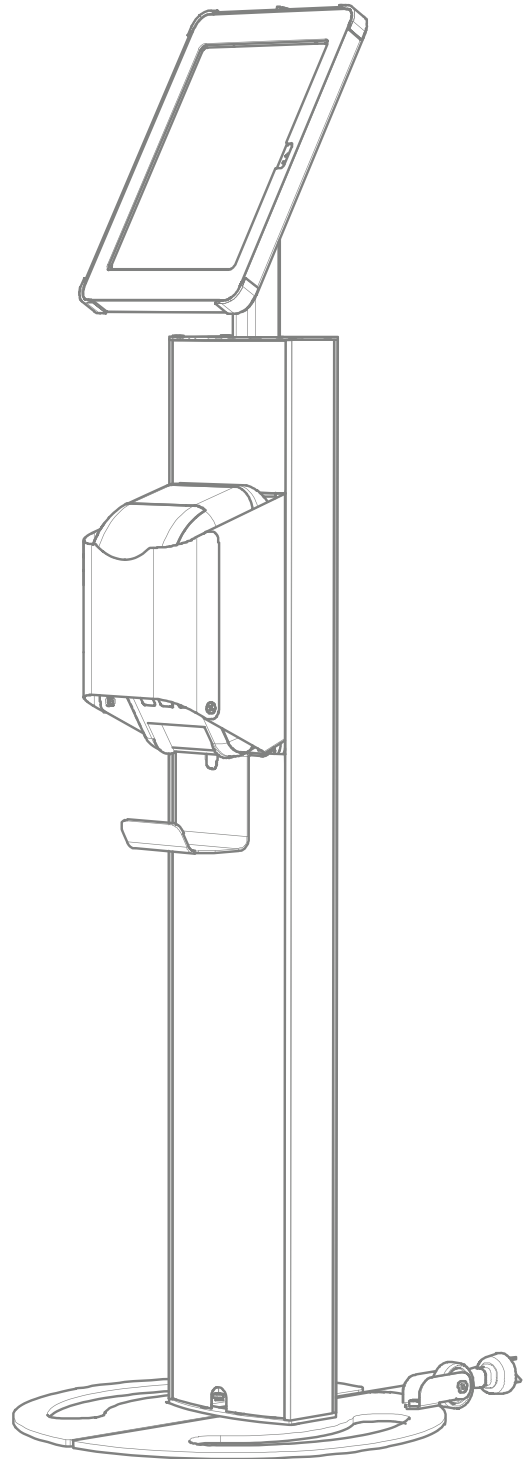


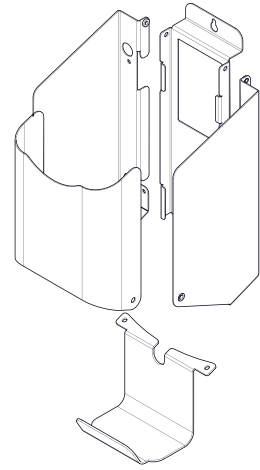
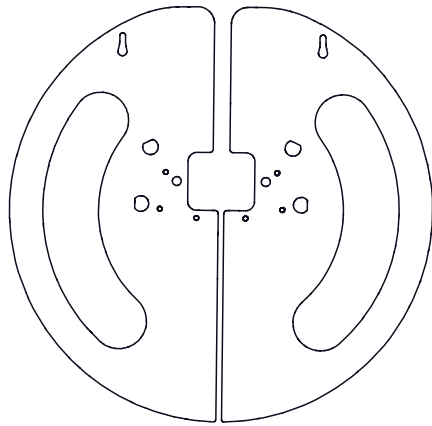
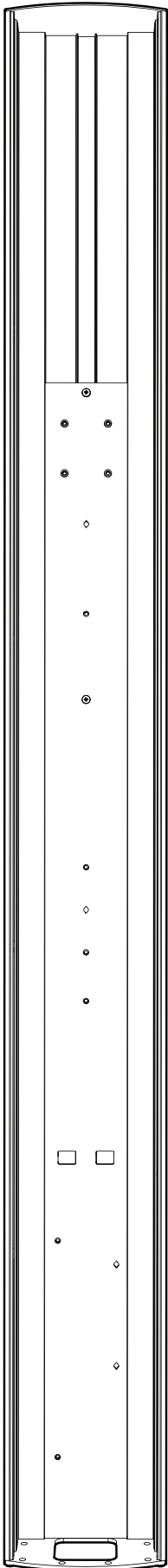


Assembly Guide

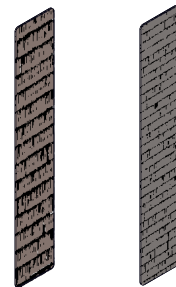
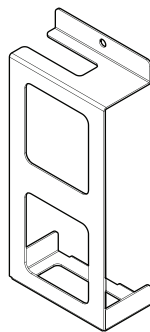
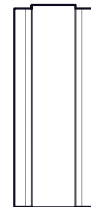
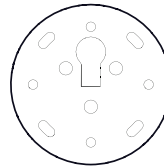
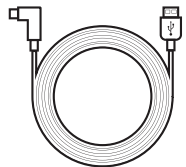
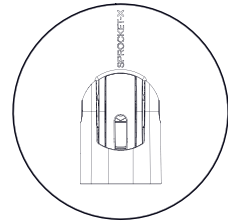
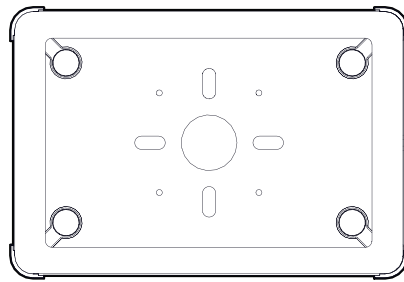
T Series Print 10

Version 1.4





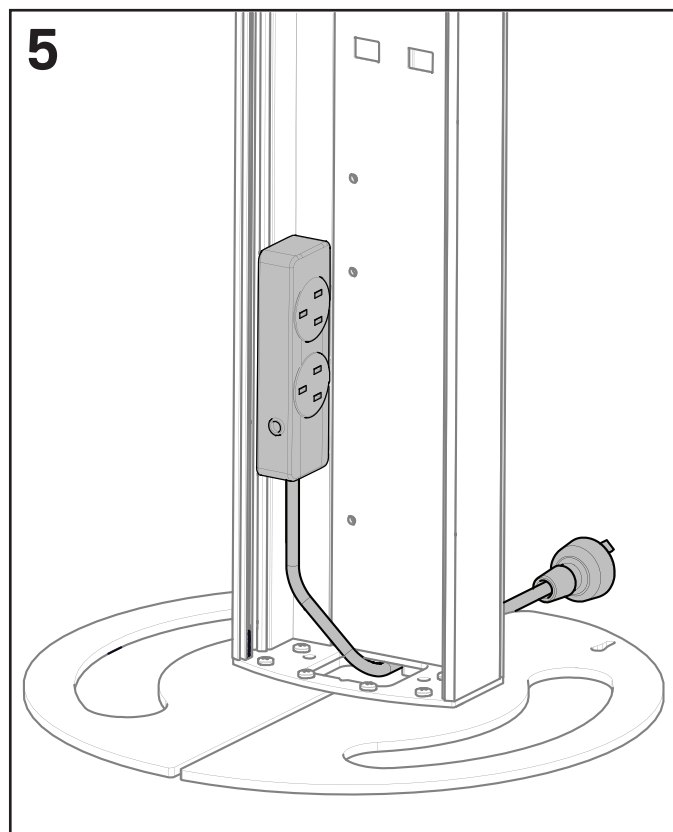
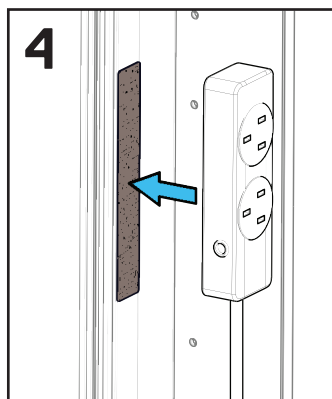
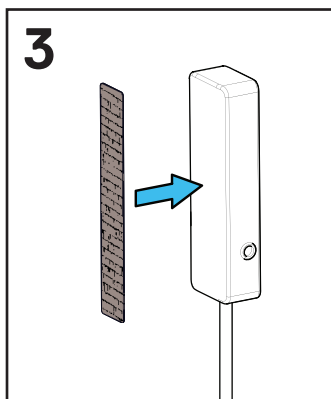
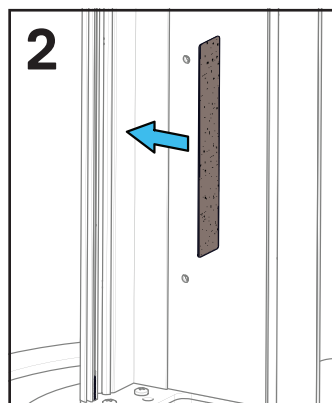
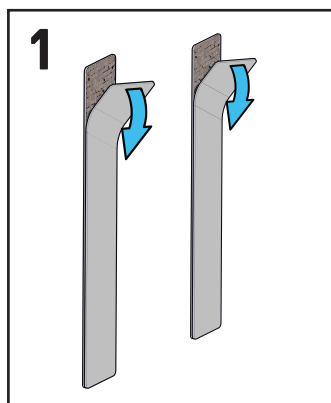
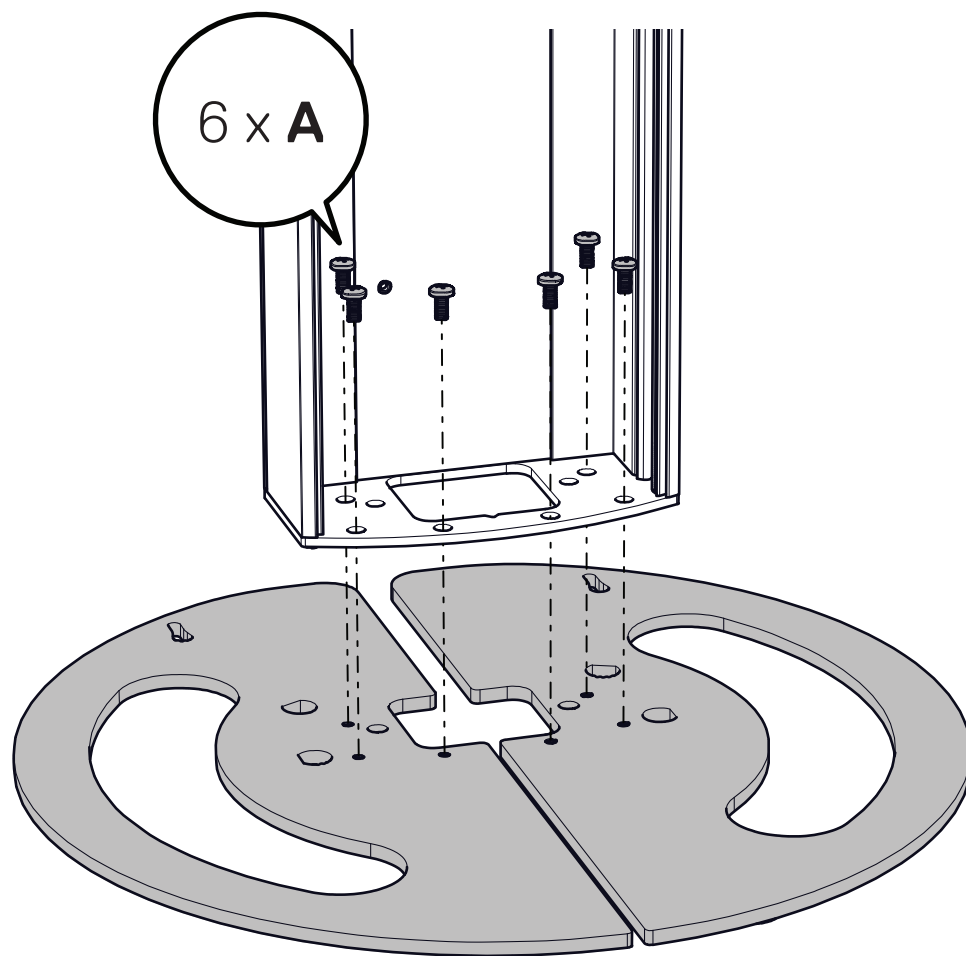
PA	PB	PC	PD
M3x8	M4x6	M5x8	M5 Nylon Washer
x4	x4	x2	x2



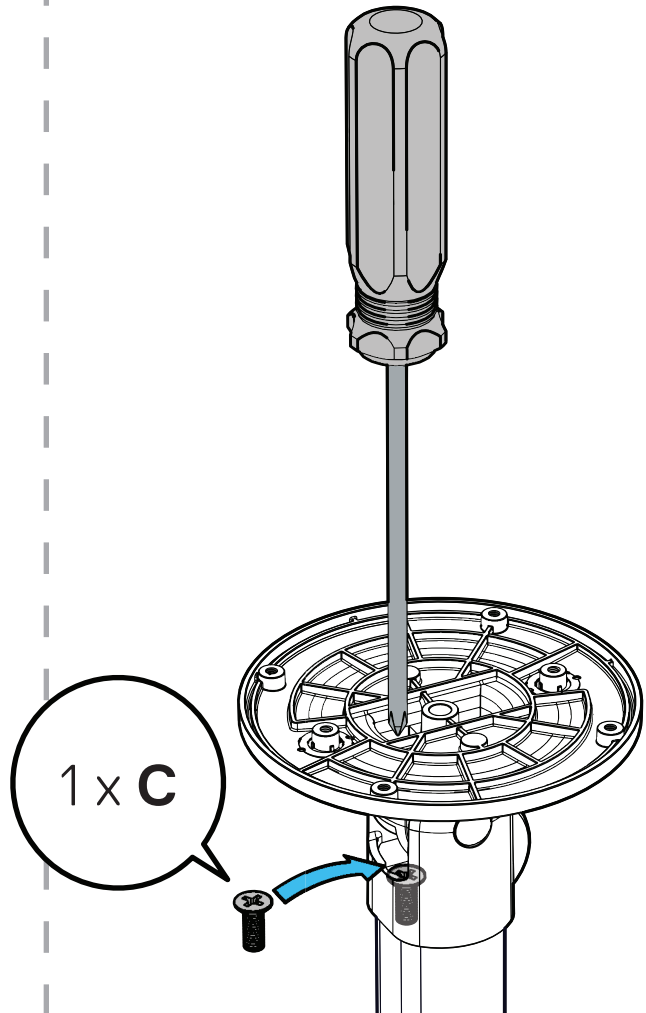
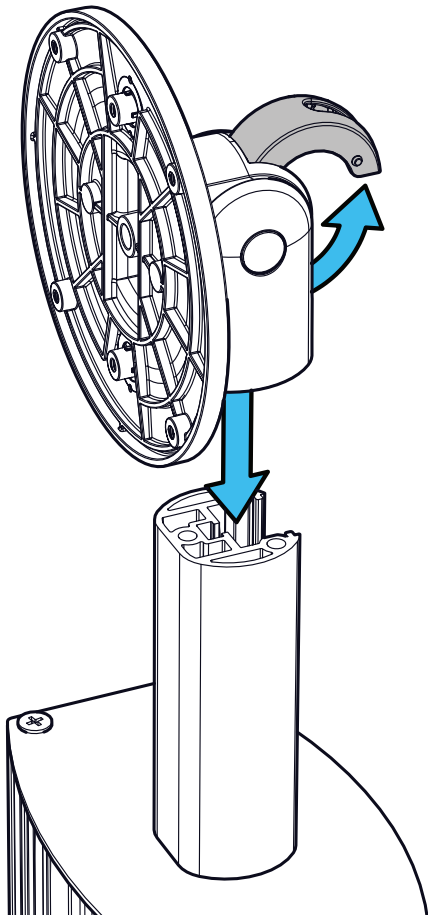
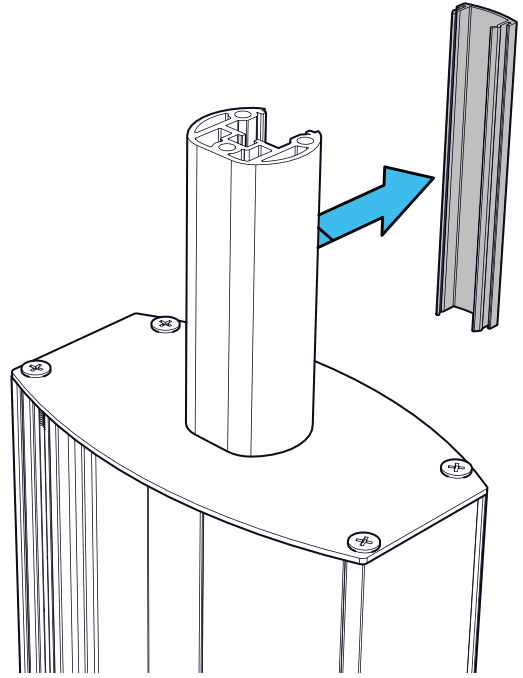
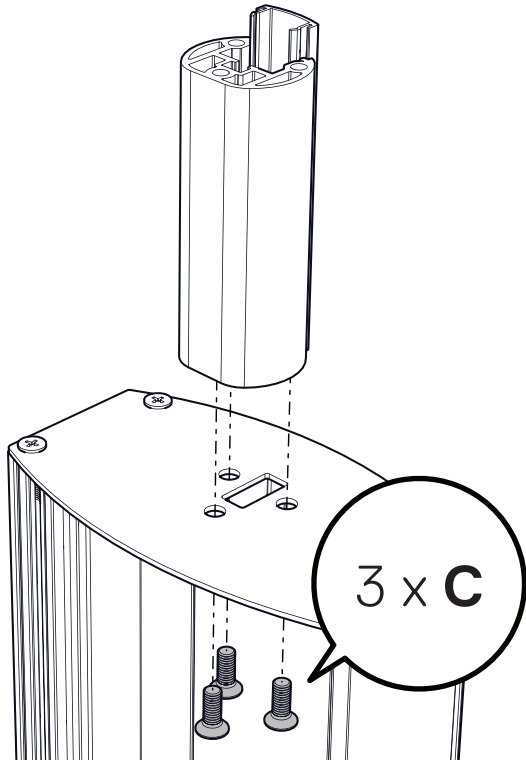
2x Velcro Strip

A	B	C	D	E	F	G
M5x10	M4x10	M6x16	M4x6	M3x8		10Gx25
x6	x9	x4	x4	x4	x1	x4

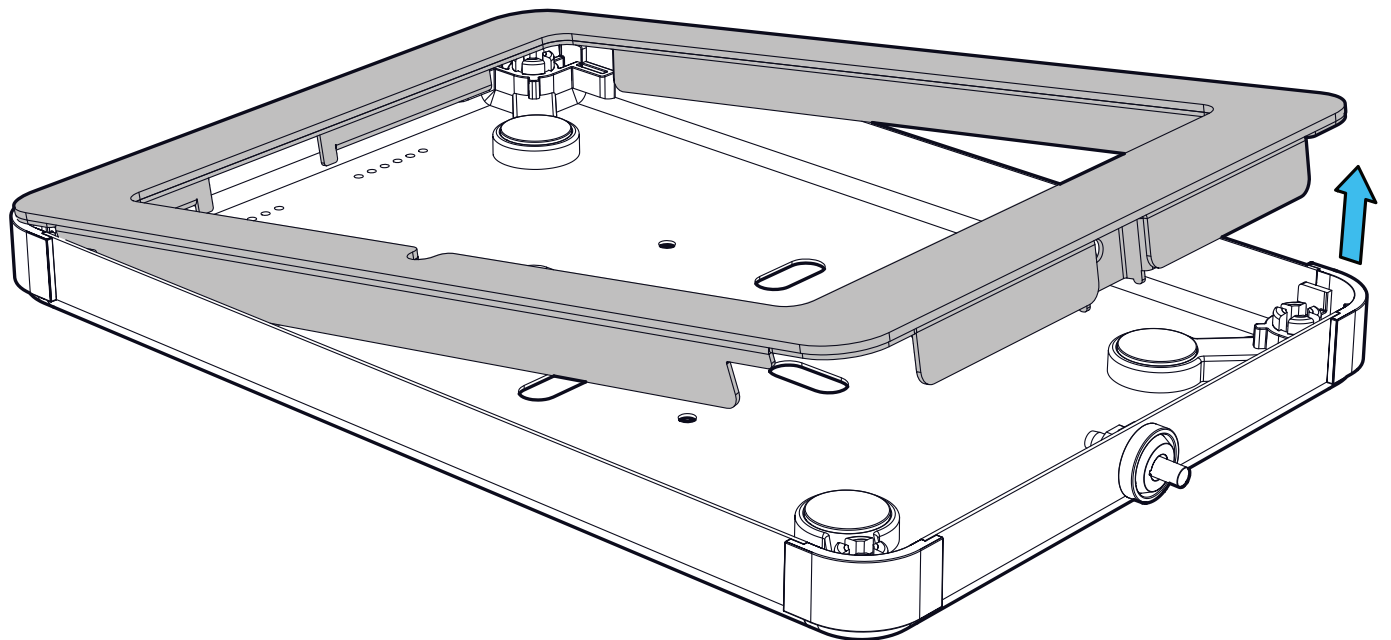
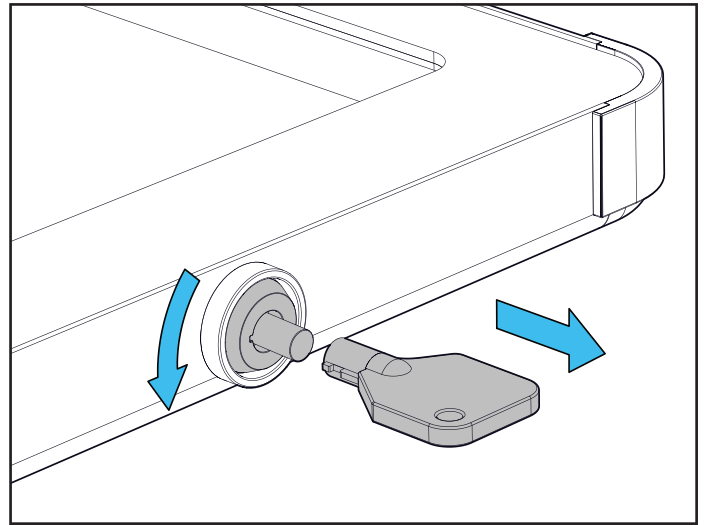
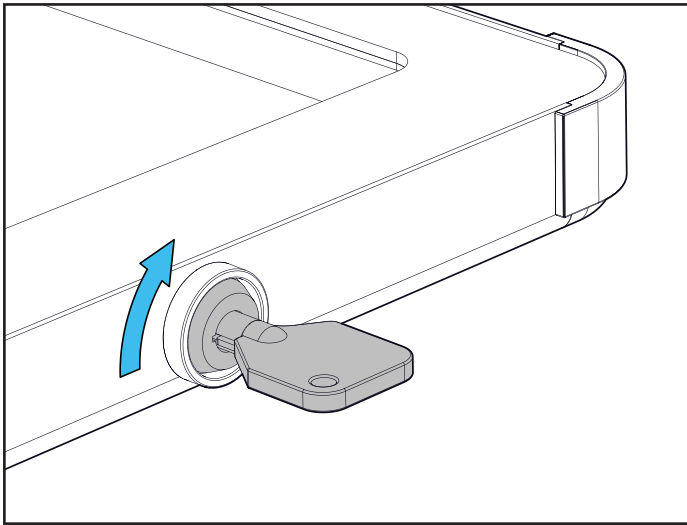
STEP 1 /10



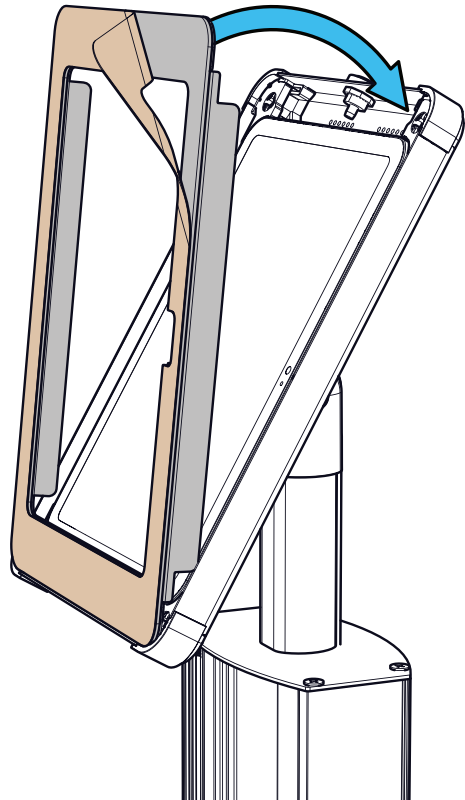
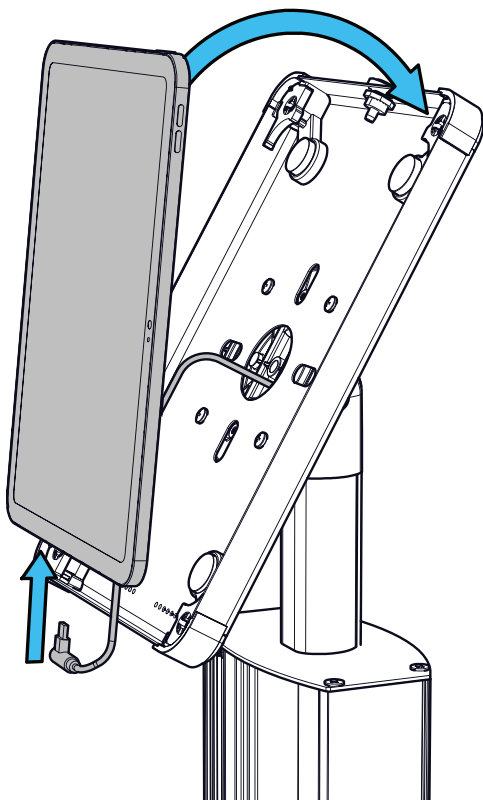
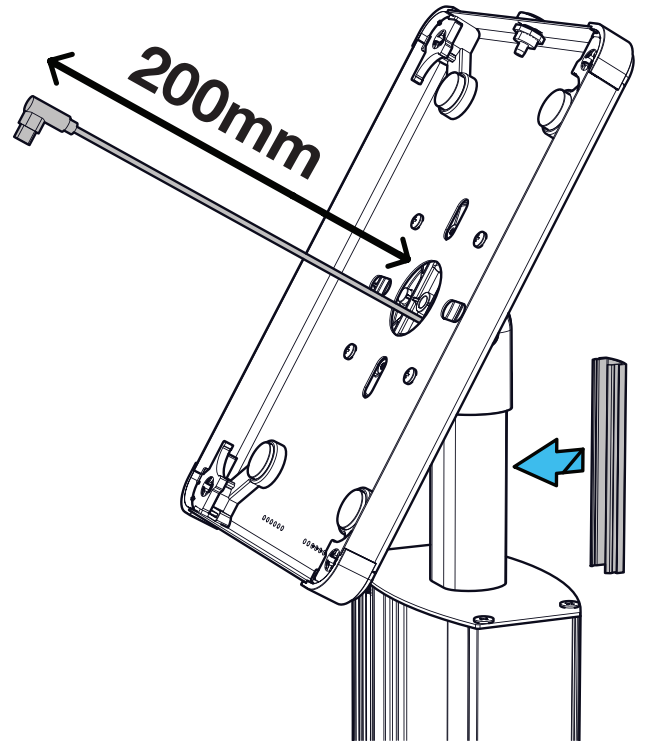
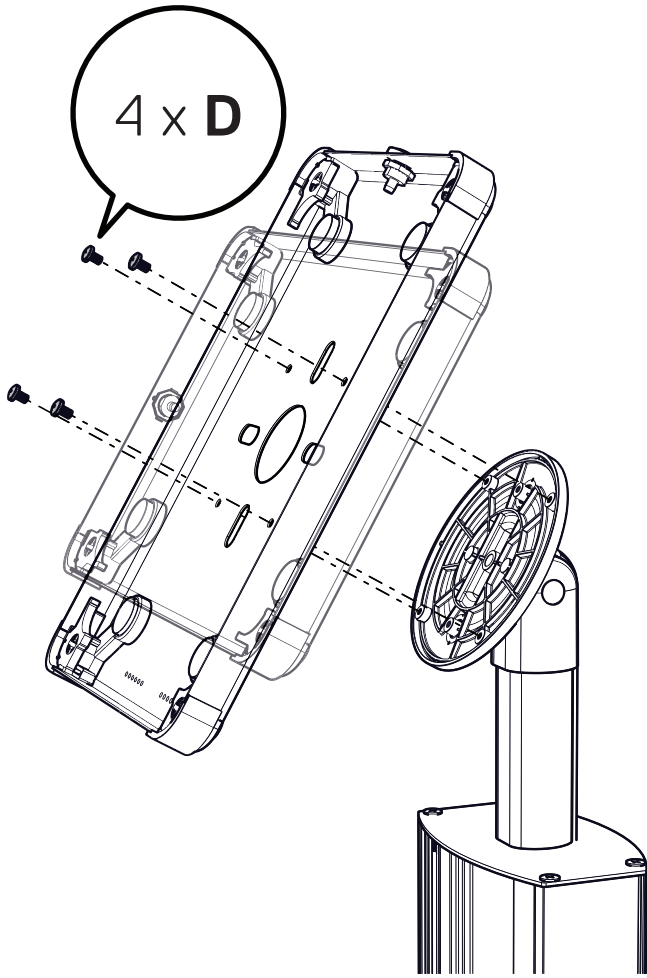
STEP 2 /10



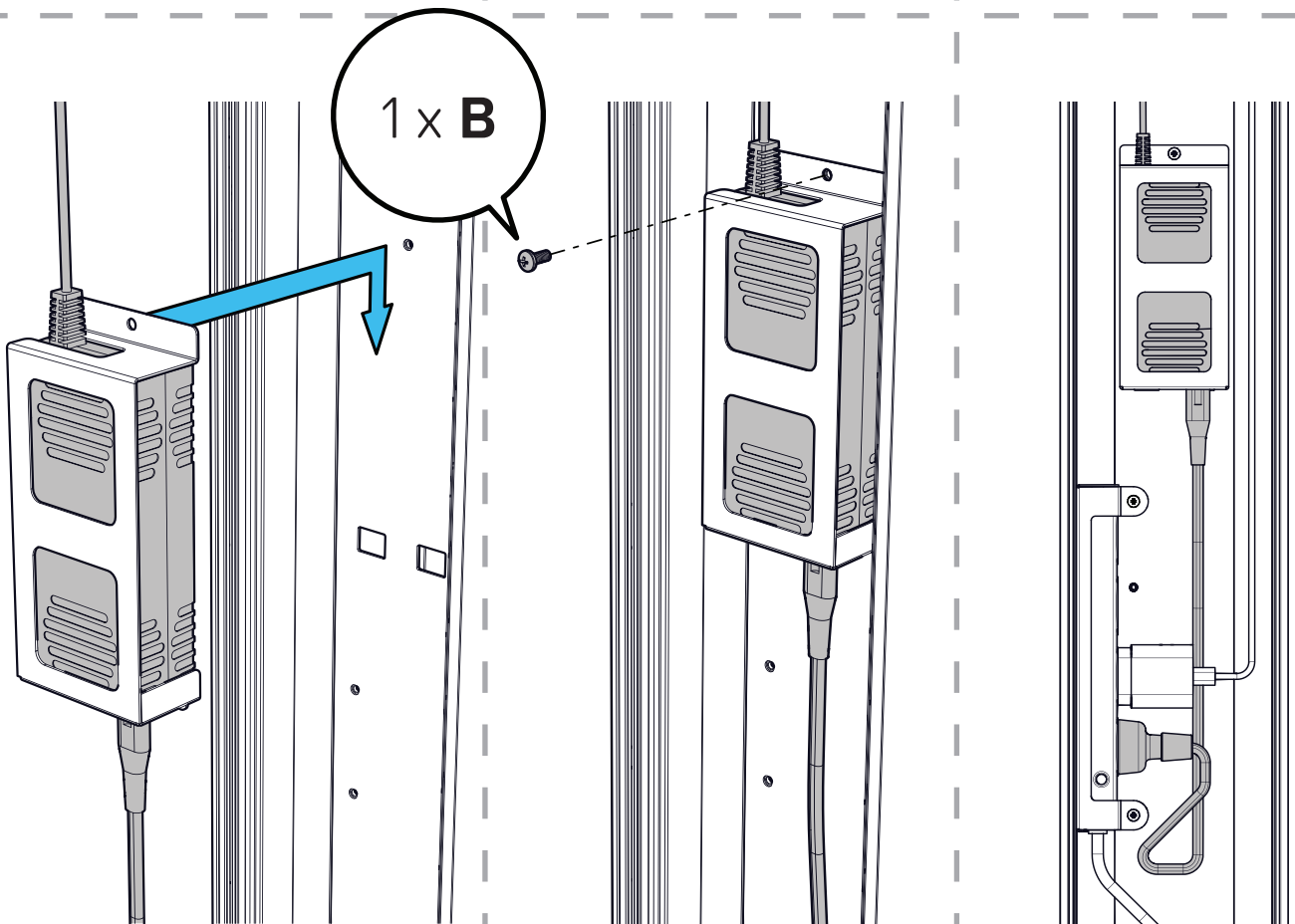
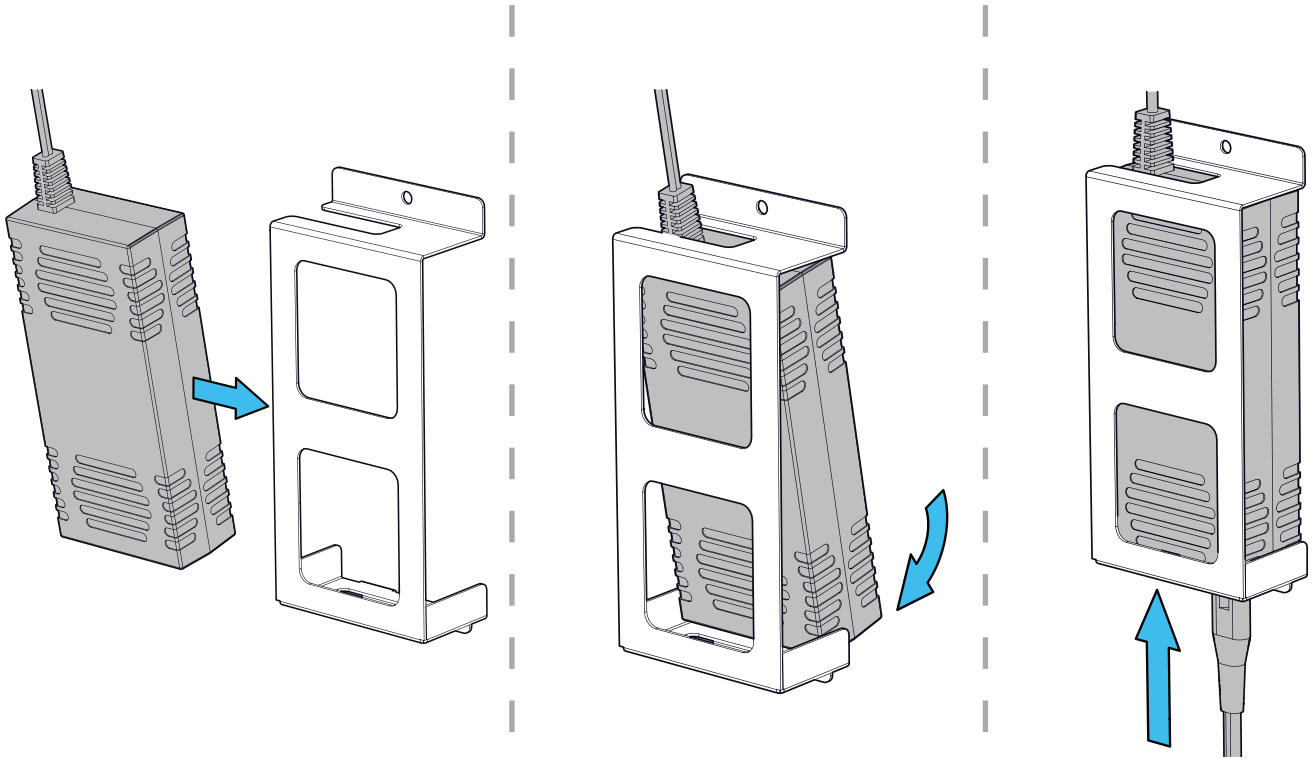
STEP 3 /10



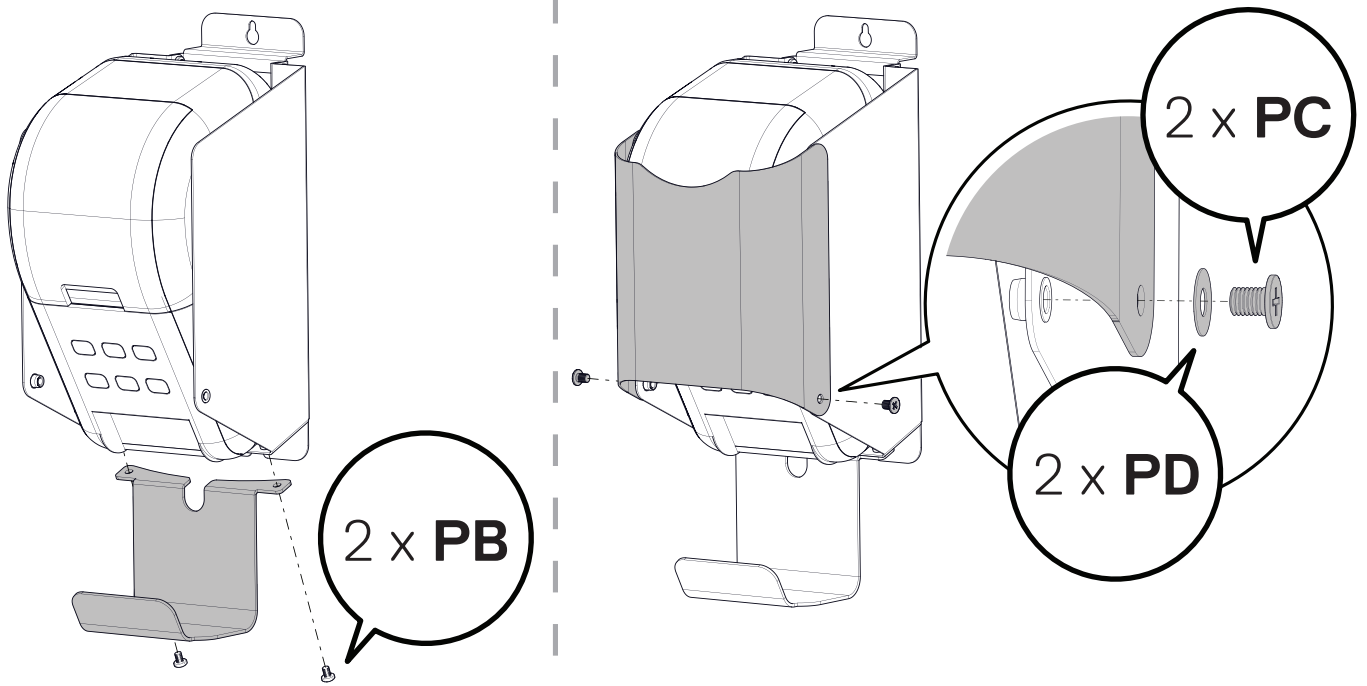
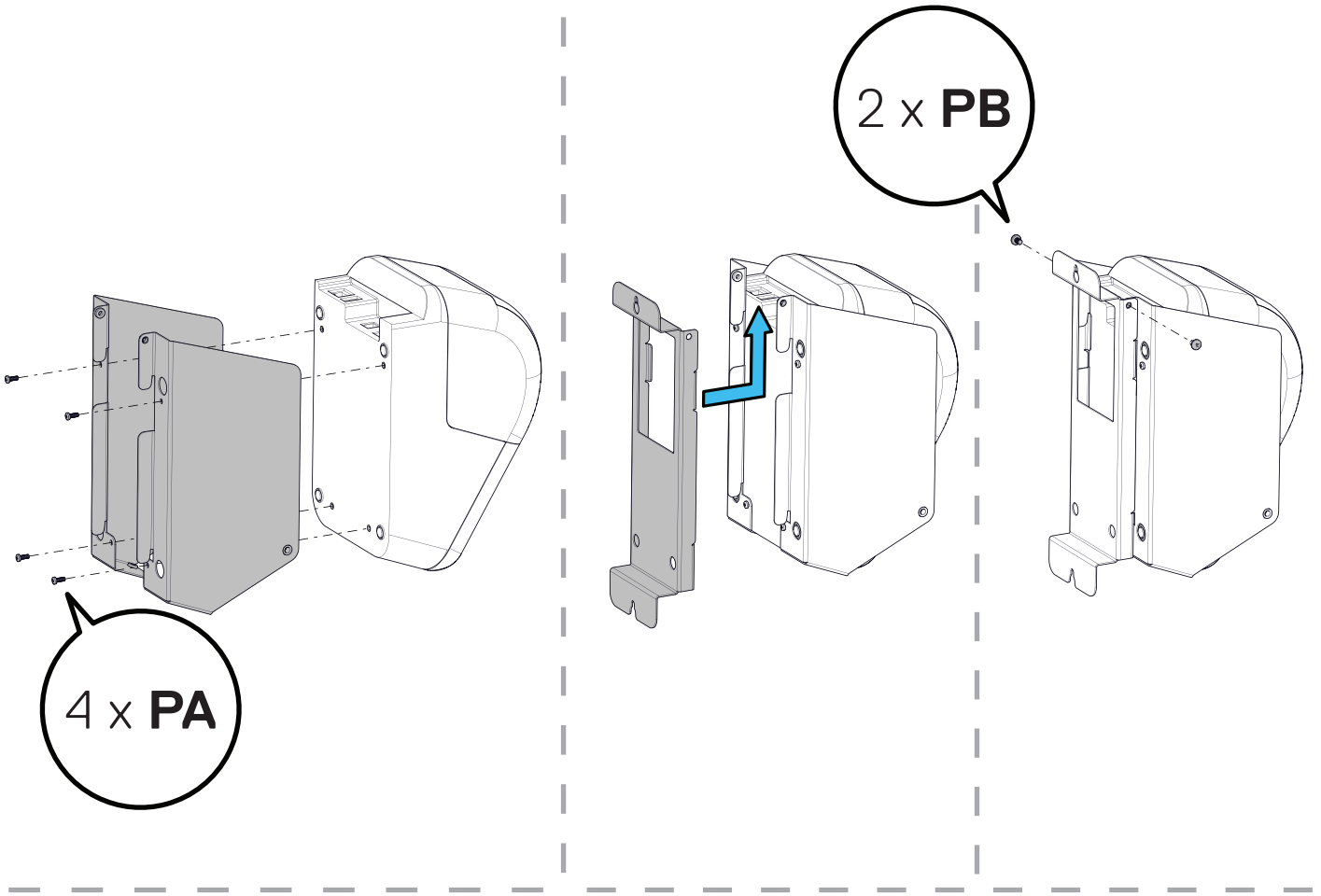
STEP 4 /10



STEP 5 /10

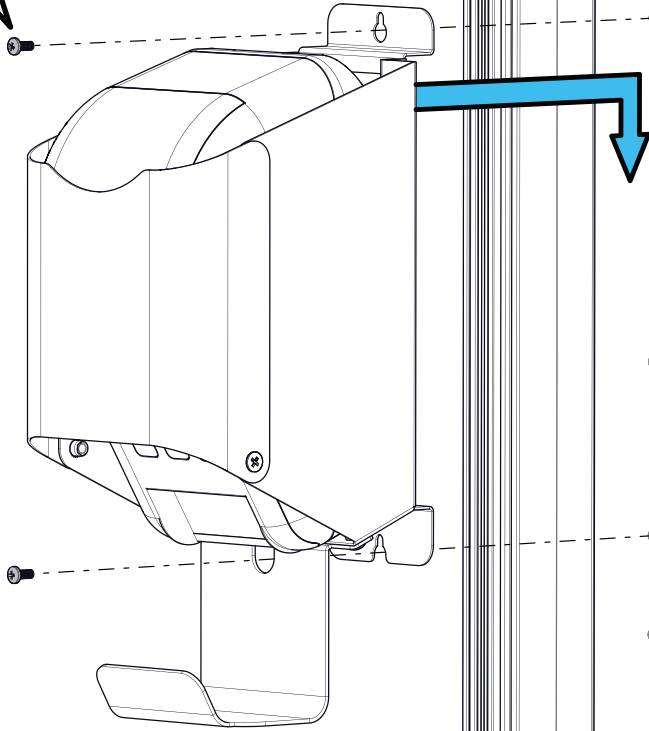


STEP 6 /10

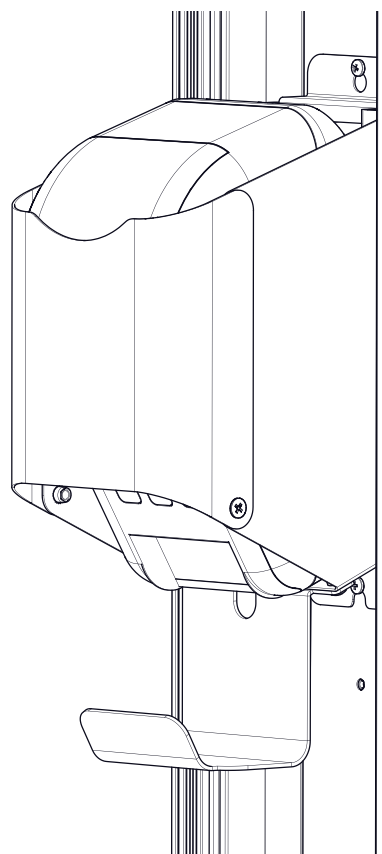
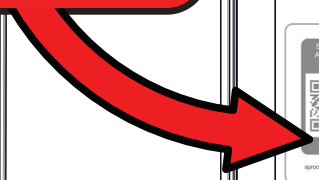


STEP 7 /10

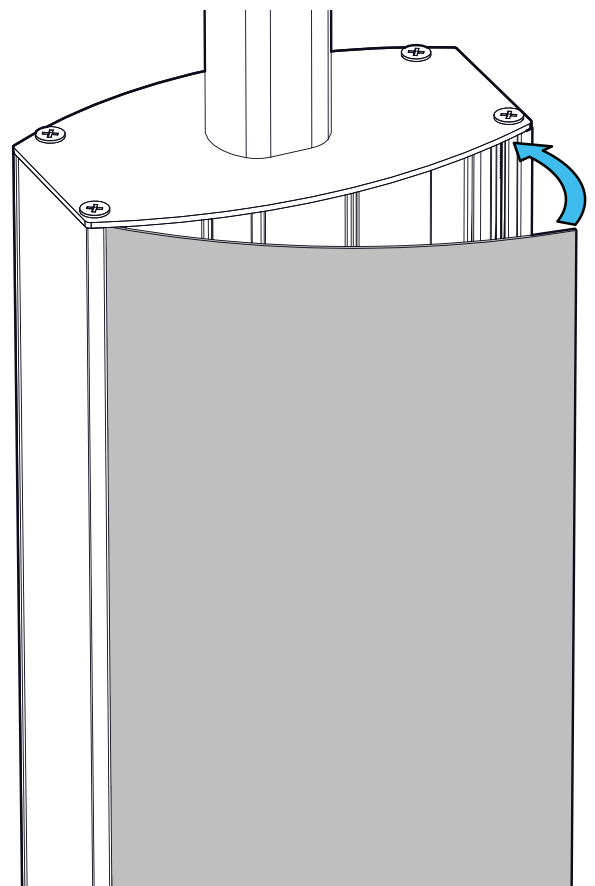
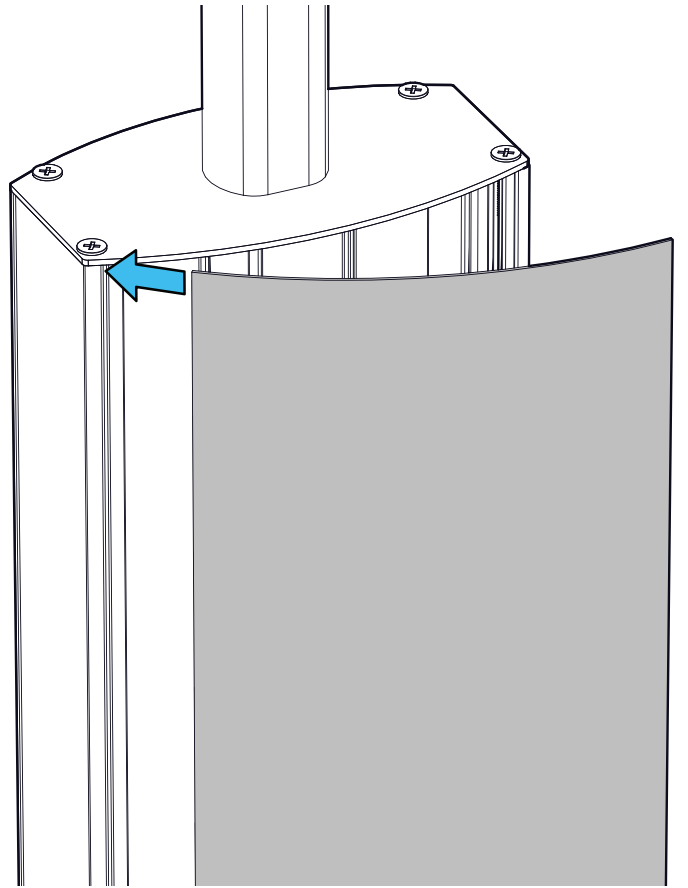
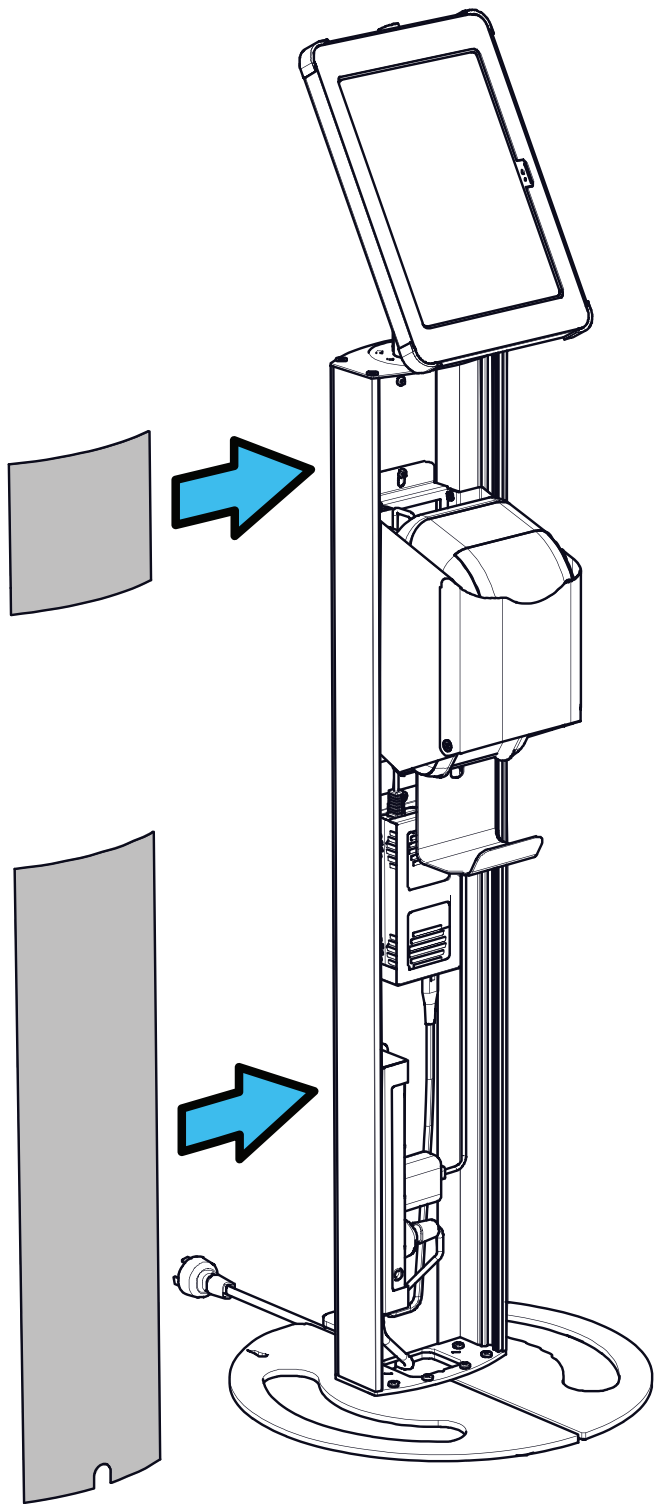
2 x B



ALERT:
The QR Code label may be obscuring a printer bracket screw insert [highlighted here]. To reveal, please remove the label partially or fully adjacent to the screw insert.

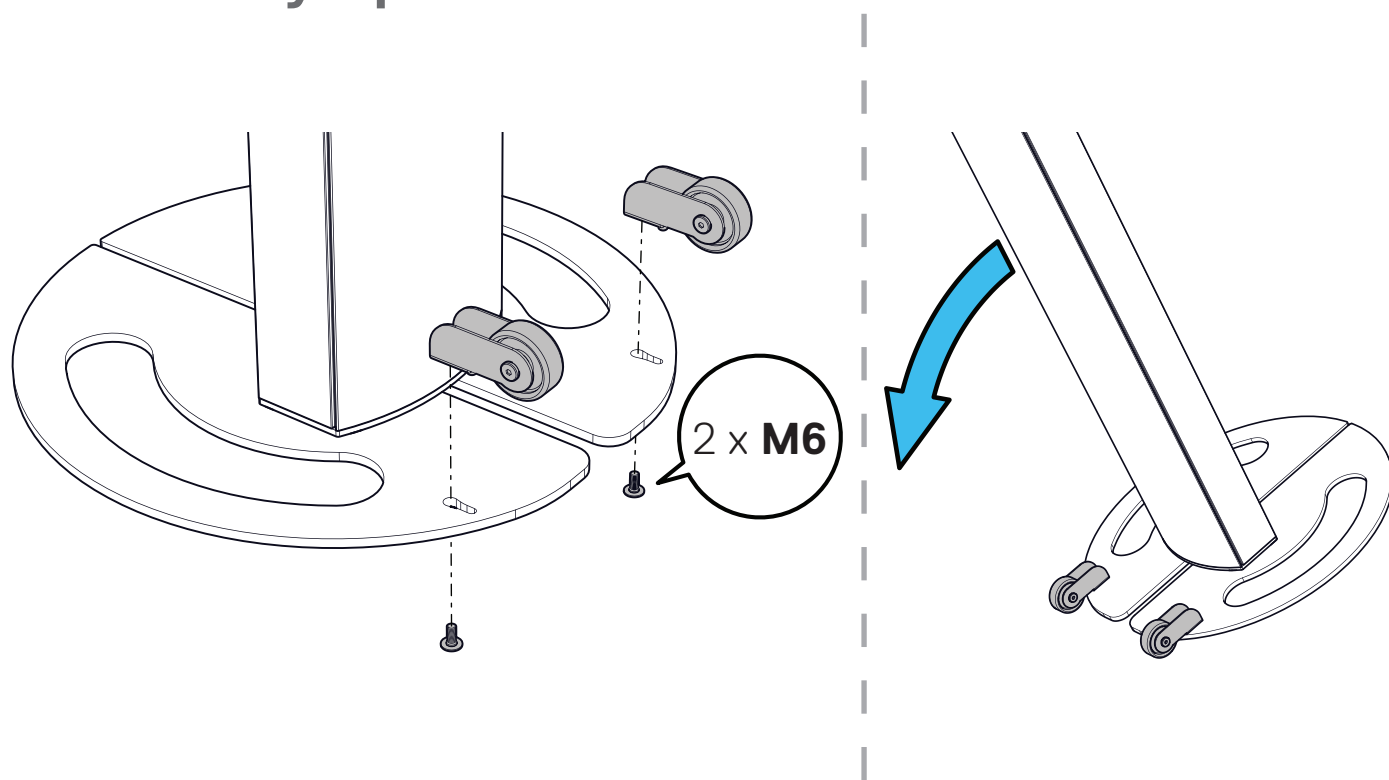


STEP 8 /10



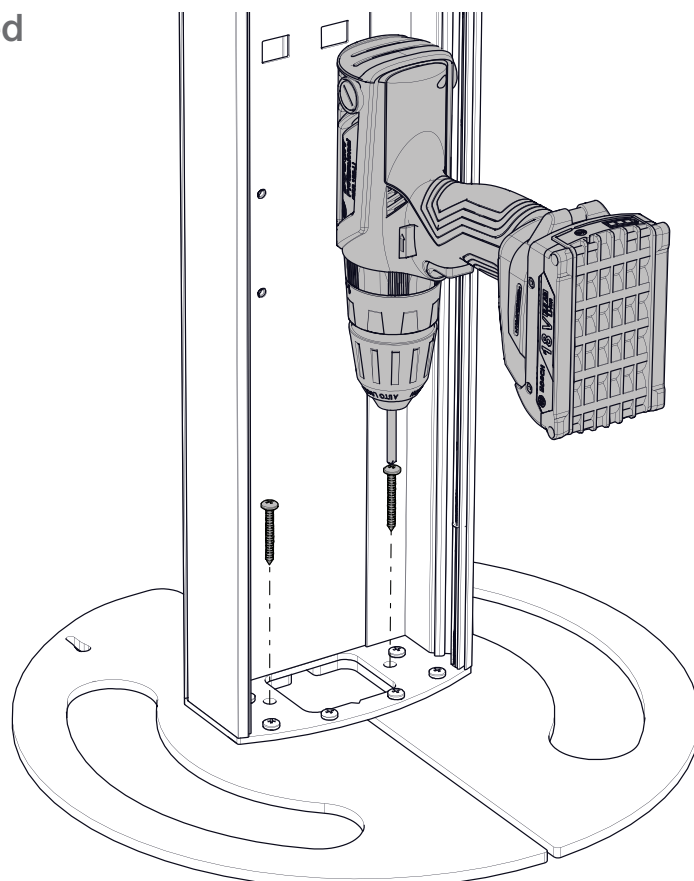
STEP 9 /10

Portability option



Bolt-down option

*screws not provided



STEP 10 /10

Care & Maintenance

