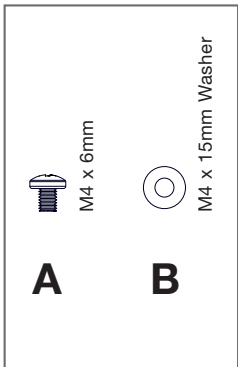
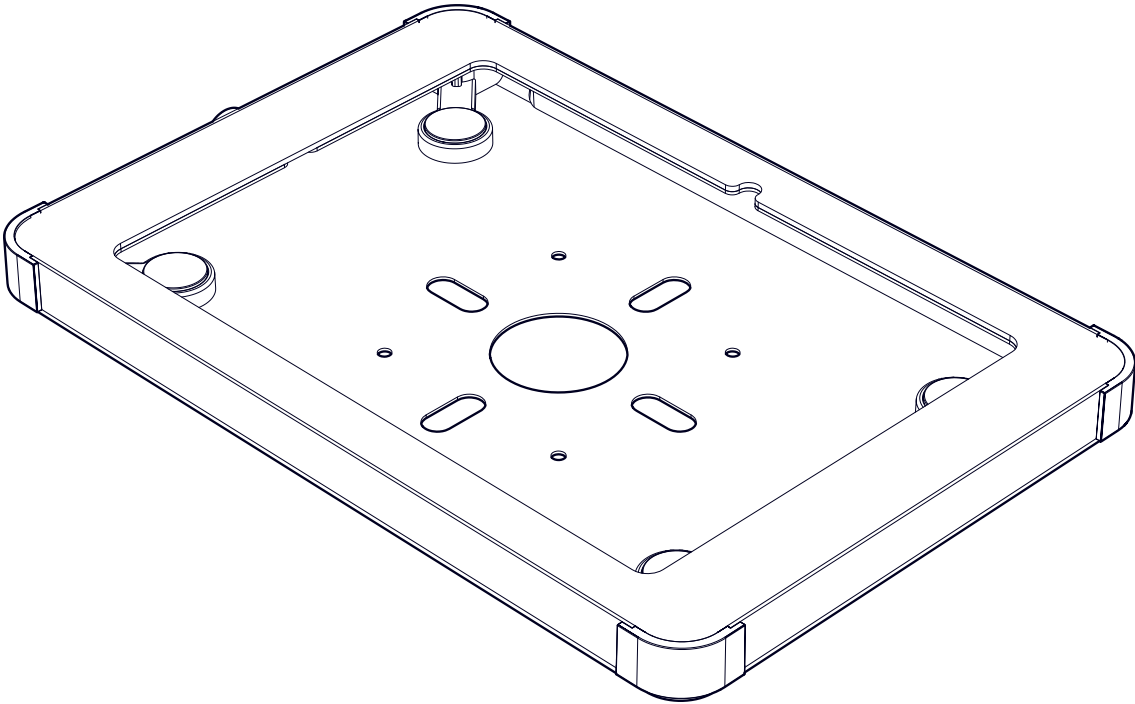


X SERIES REPLACEMENT CASE

Assembly Guide



x2

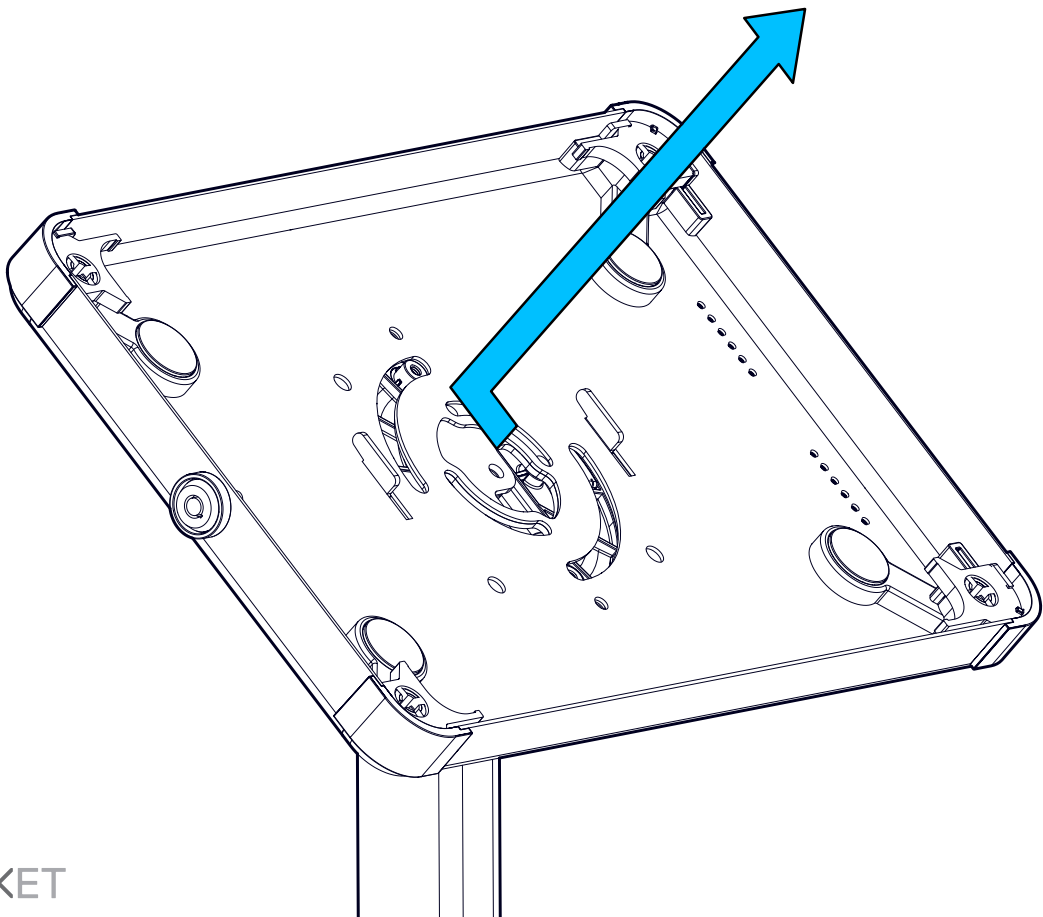
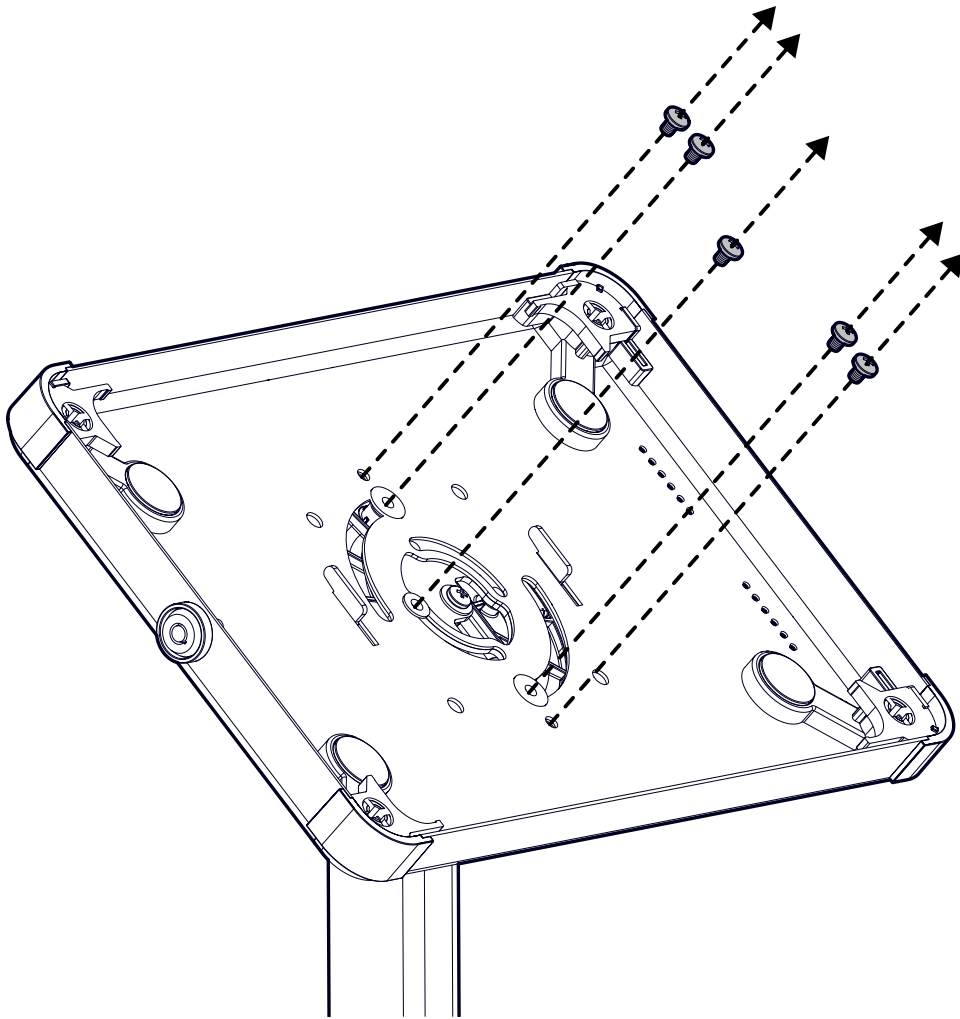
x2

You will need



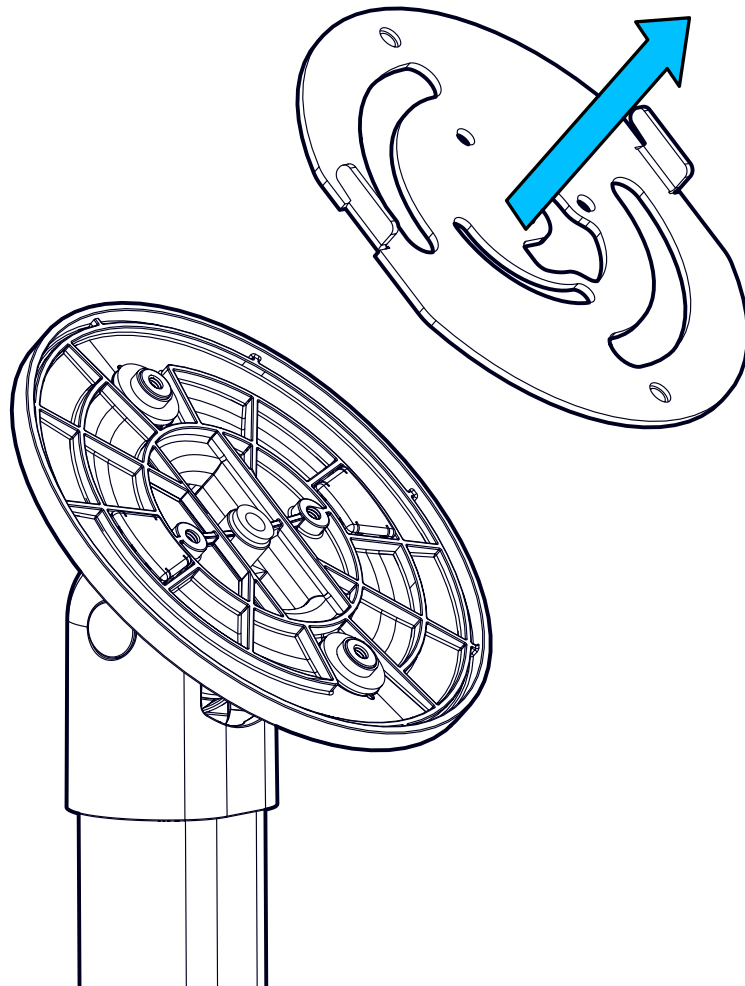
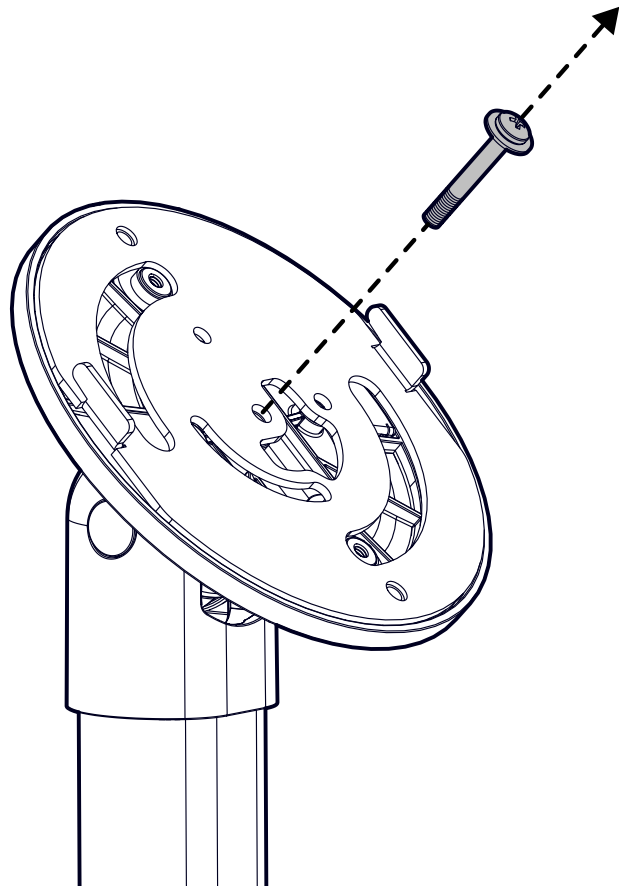
SPROCKET

1 / 3

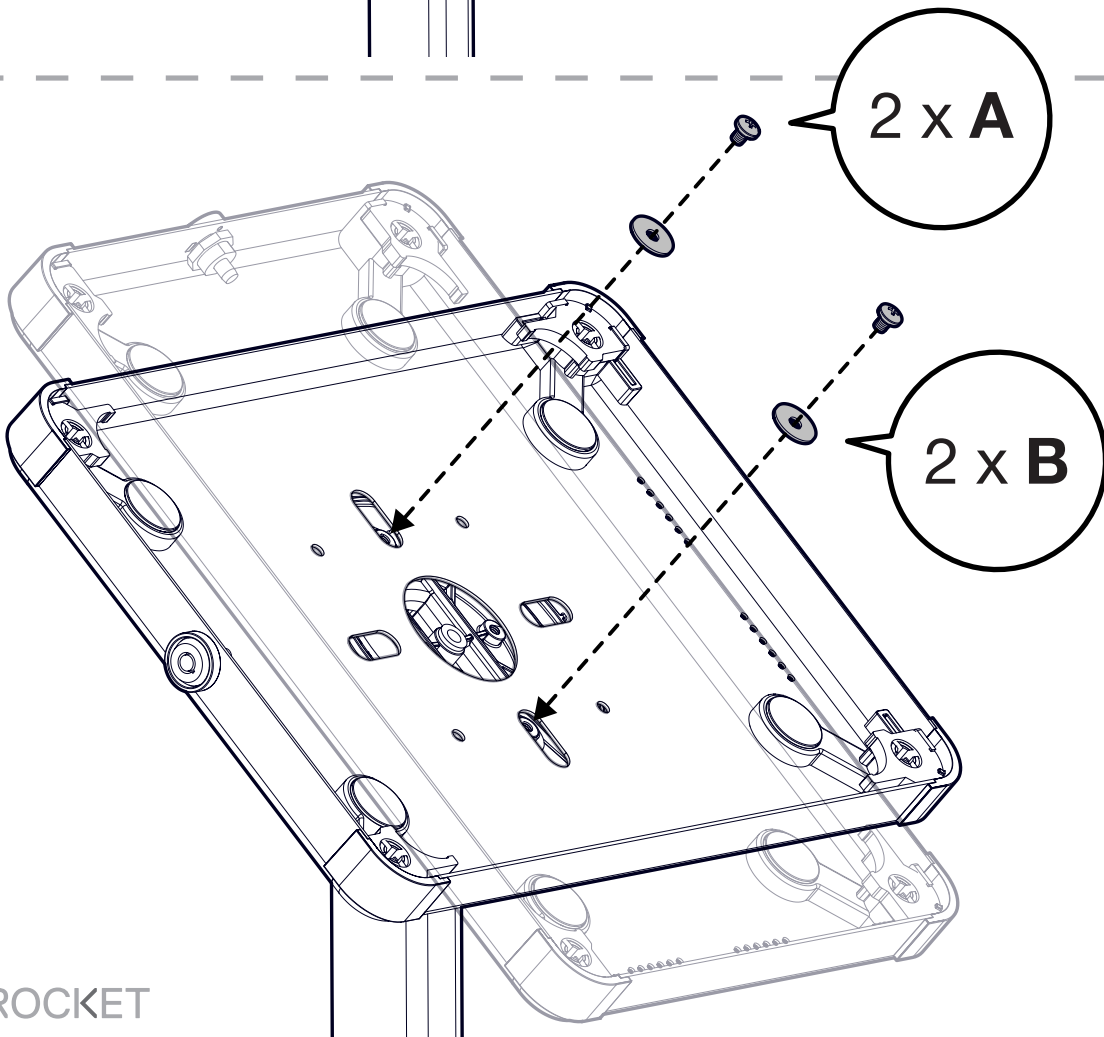
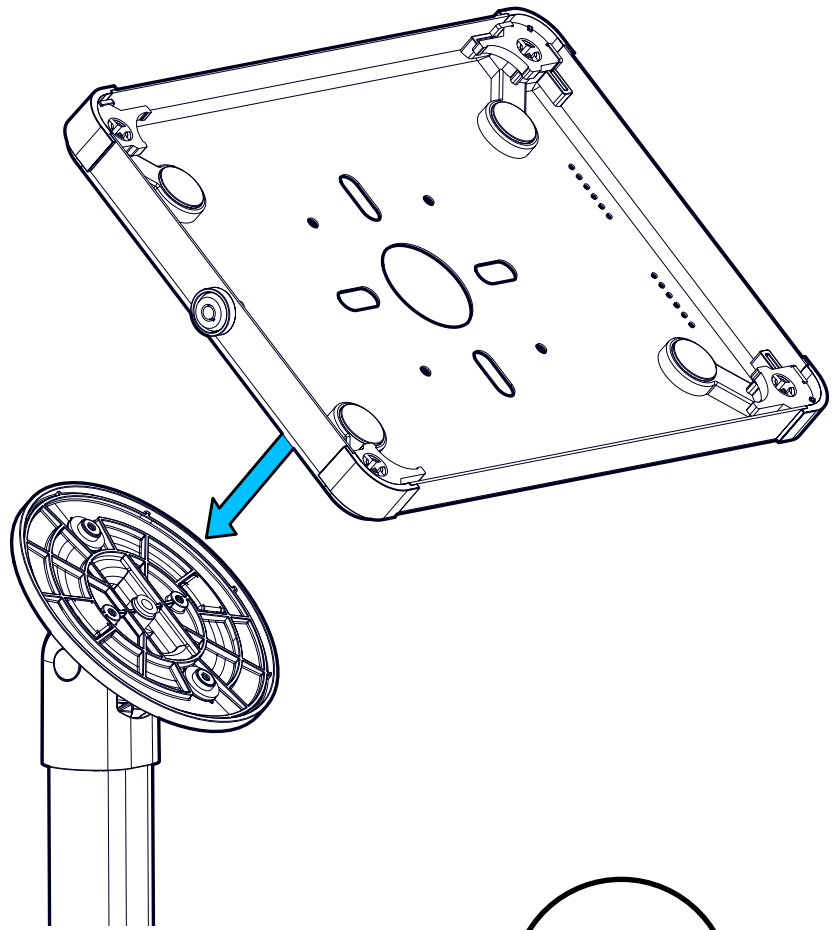


SPROCKET

2/3



SPROCKET



SPROCKET