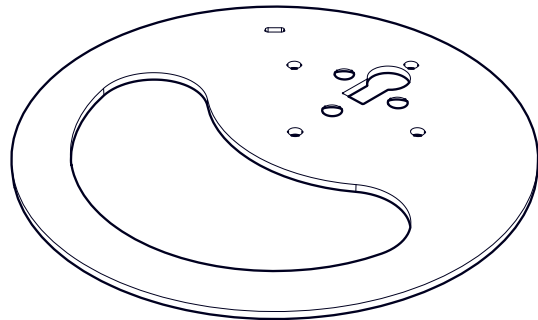
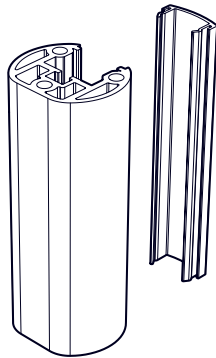
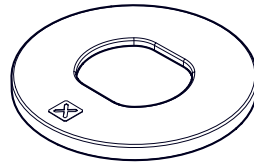
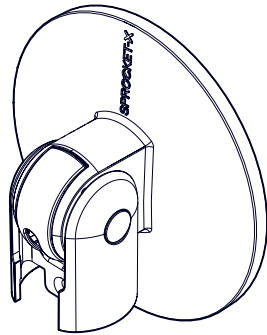
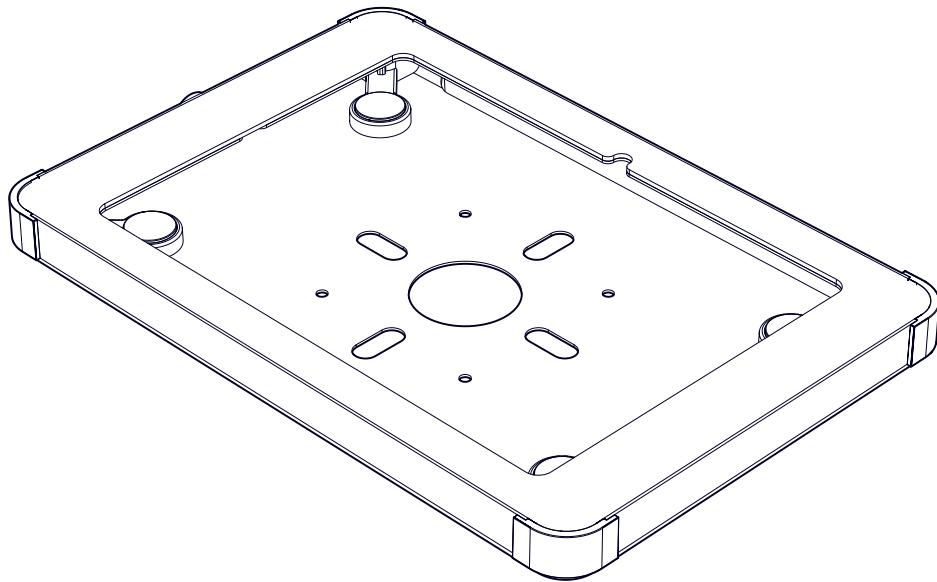

X Series Counter Stand

Version 1.0

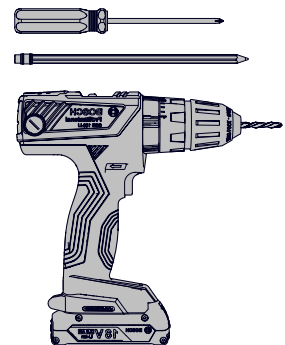


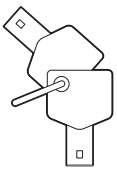




Assembly Guide

SPROCKET



You will need



	 M5 x 25mm A	 M6 x 16mm B	 M4 x 6mm C	
---	--	--	---	---

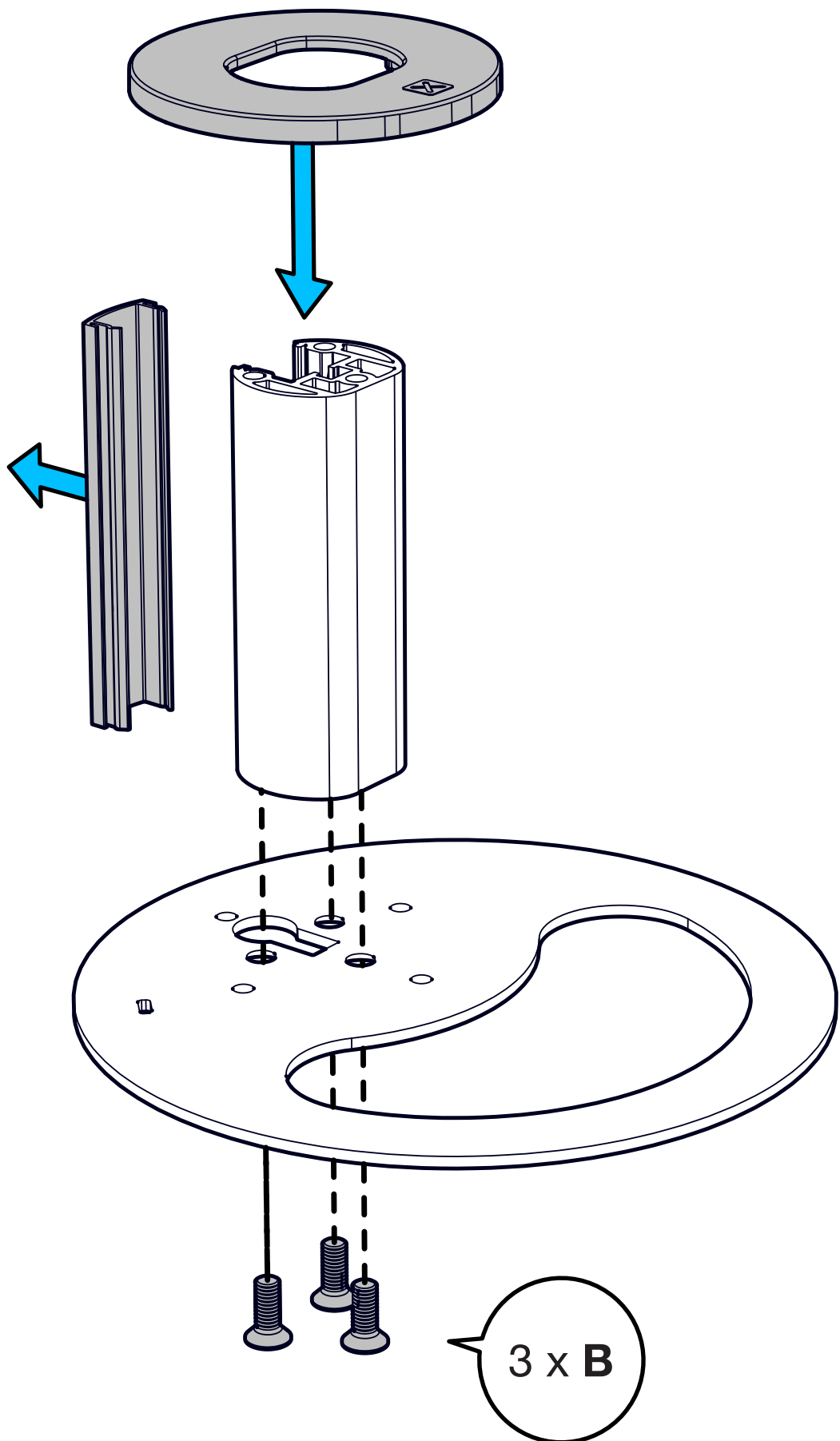
x2

x4

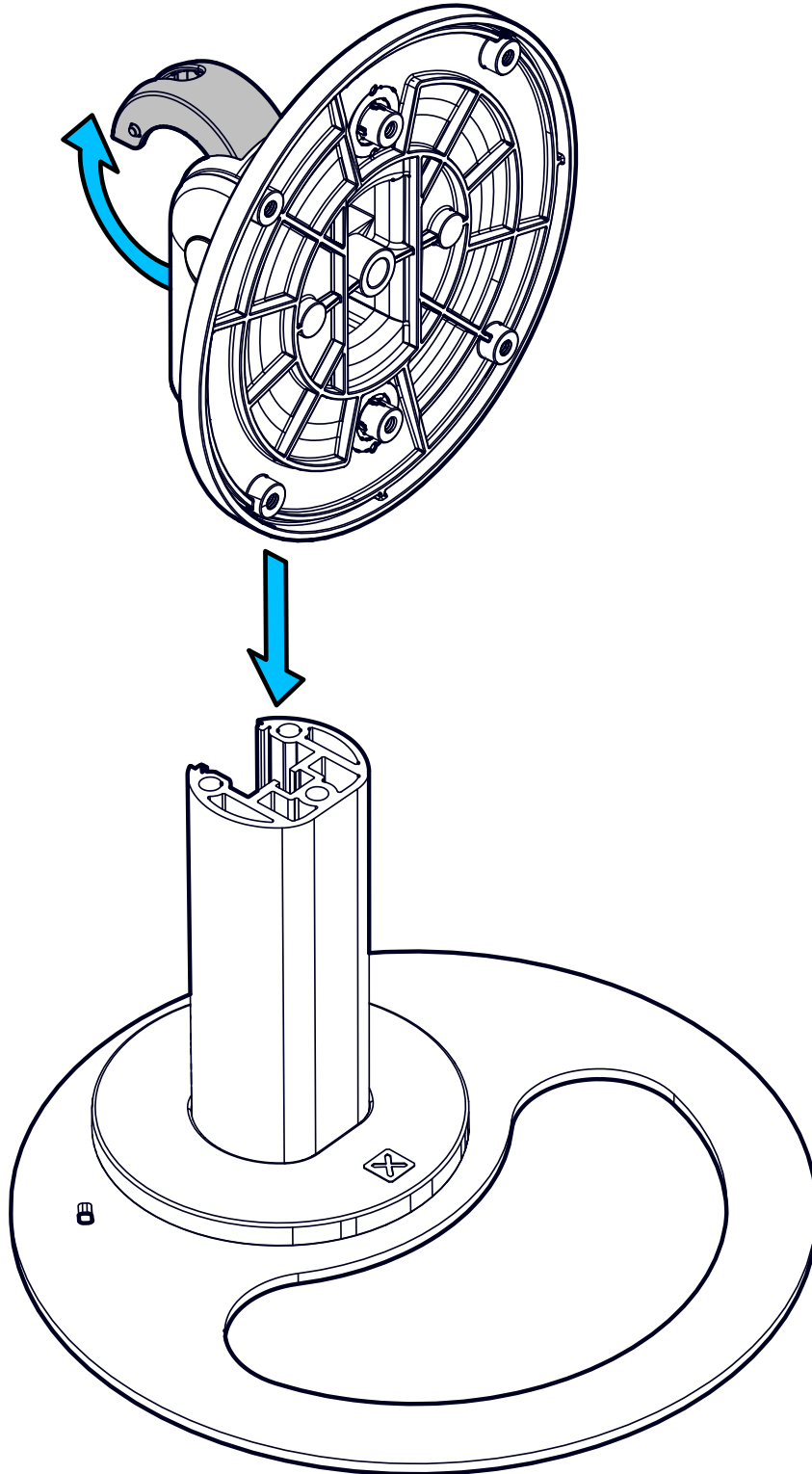
x4

x4

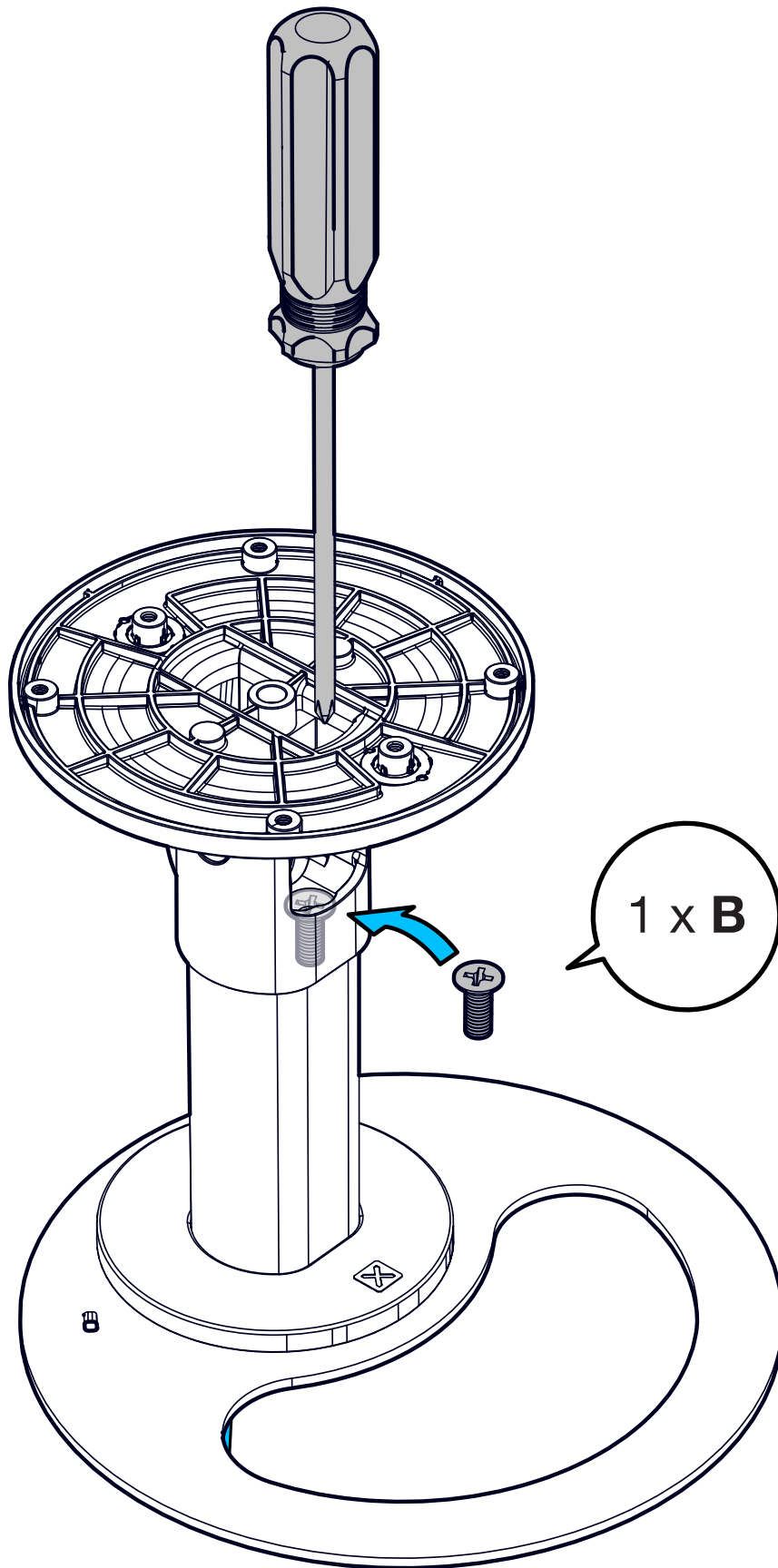
x1

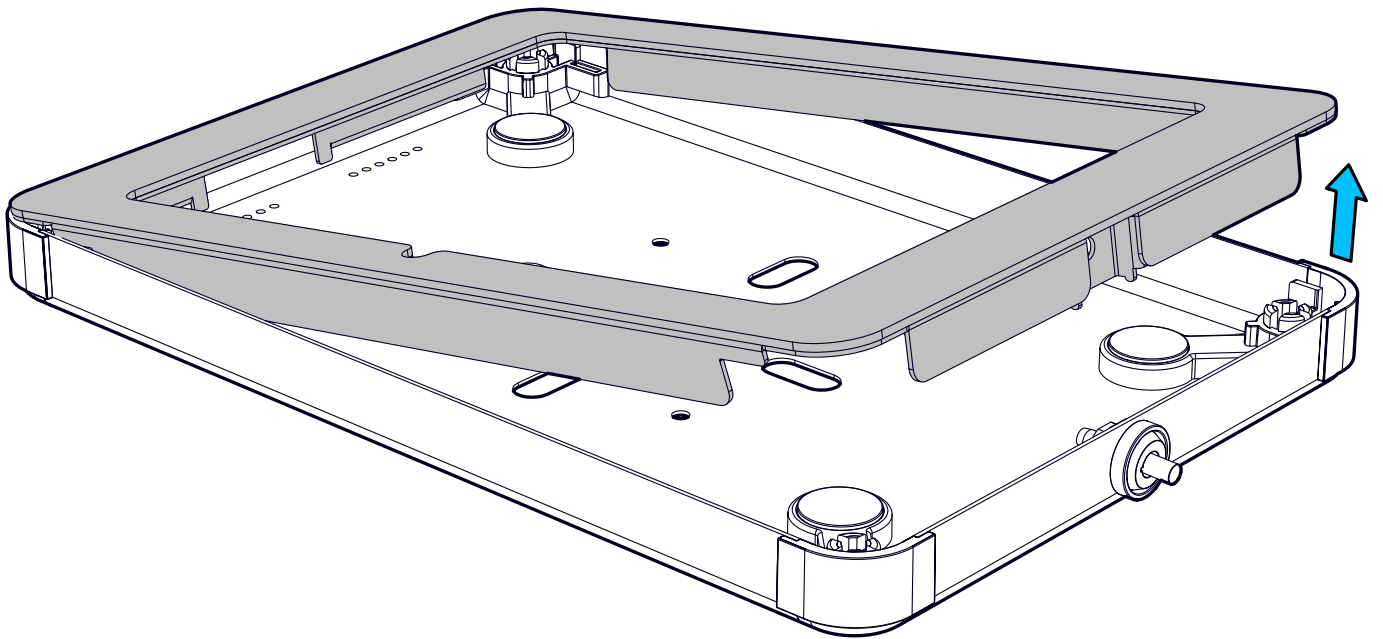
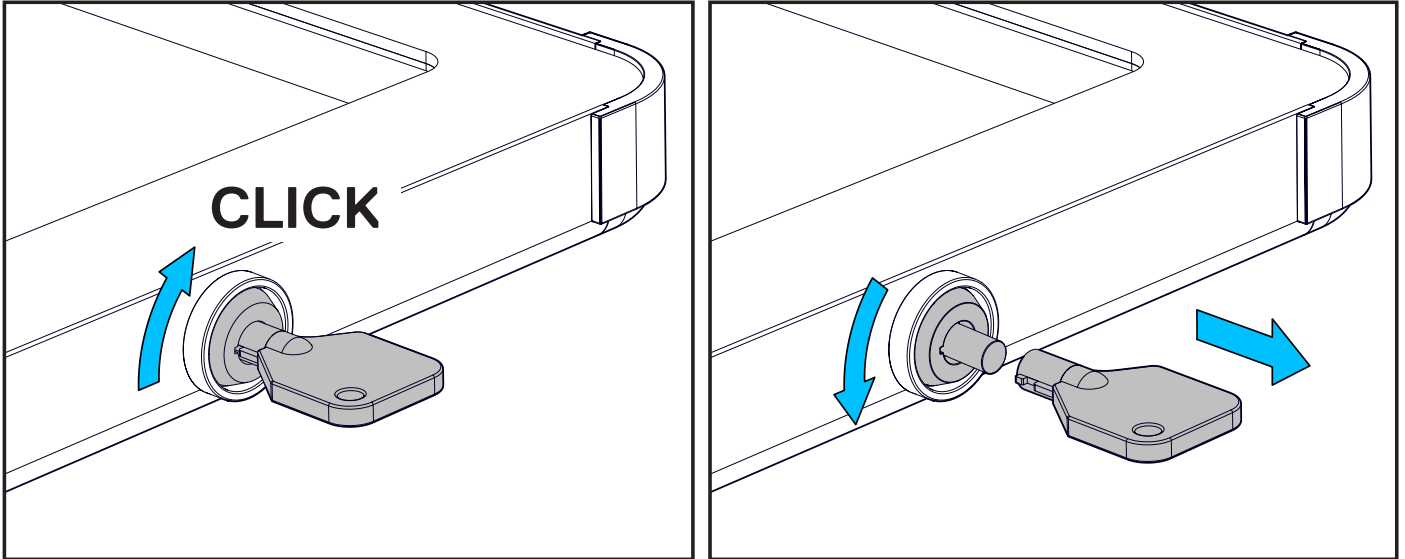


SPROCKET

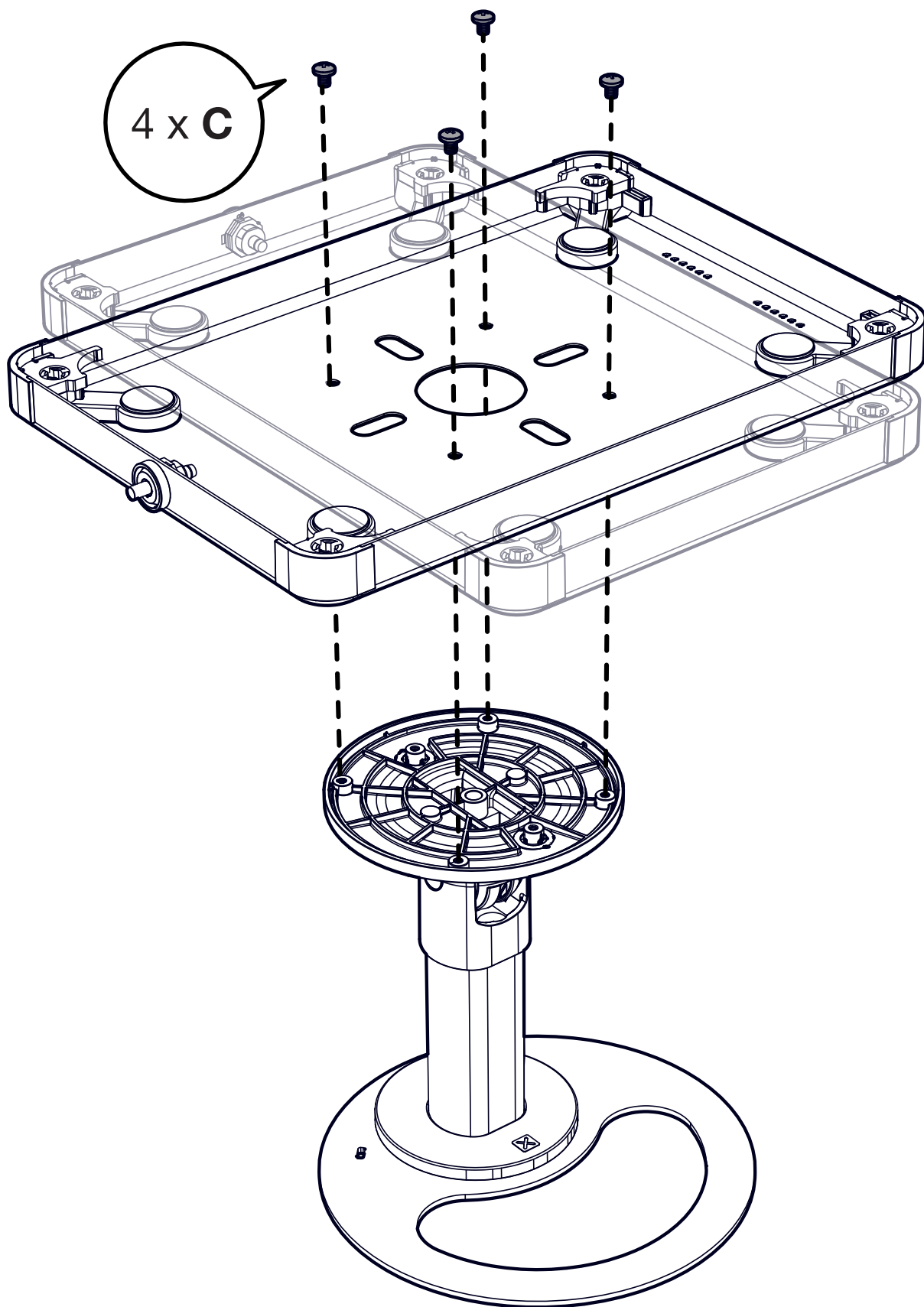


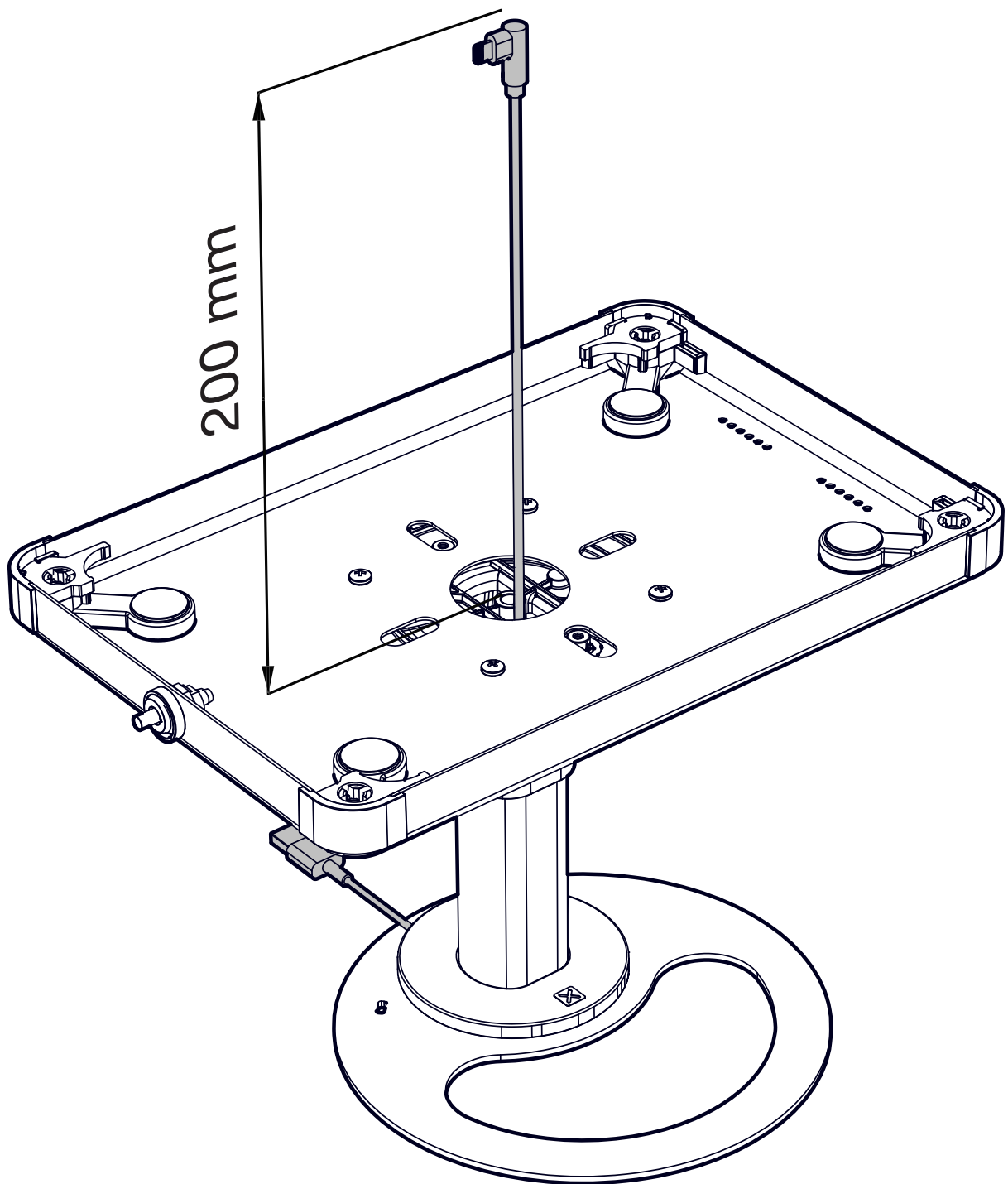
SPROCKET

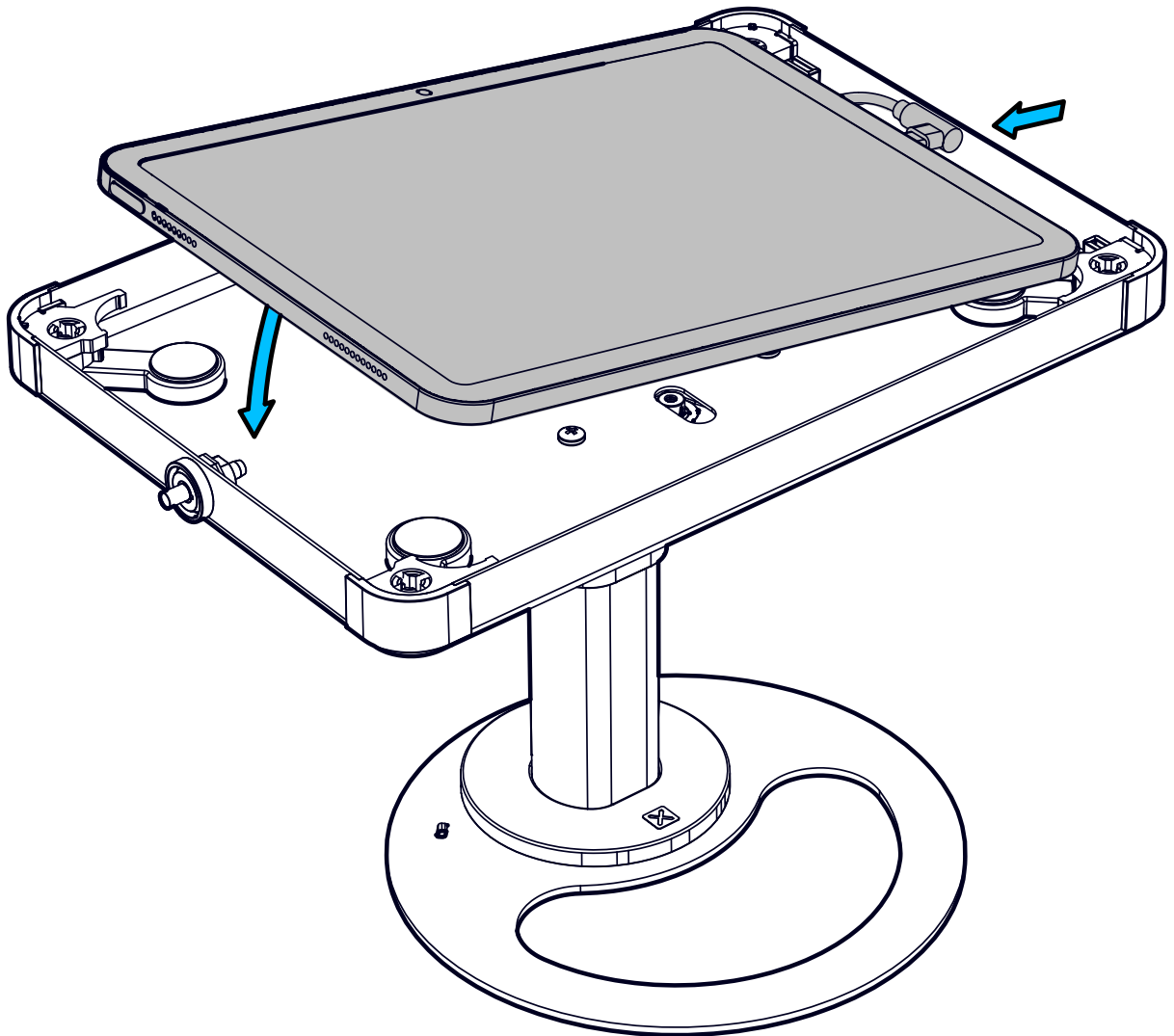


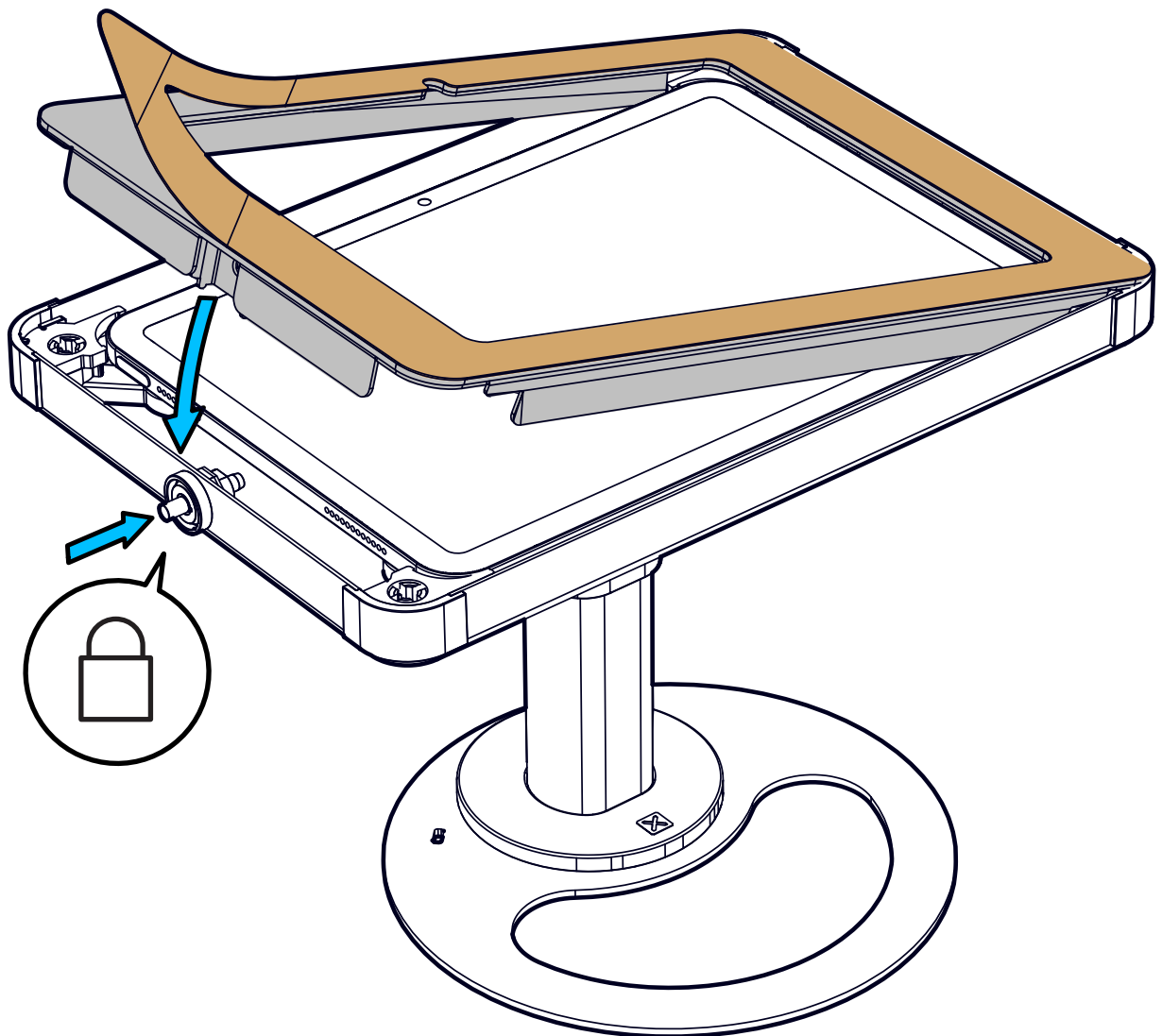


SPROCKET

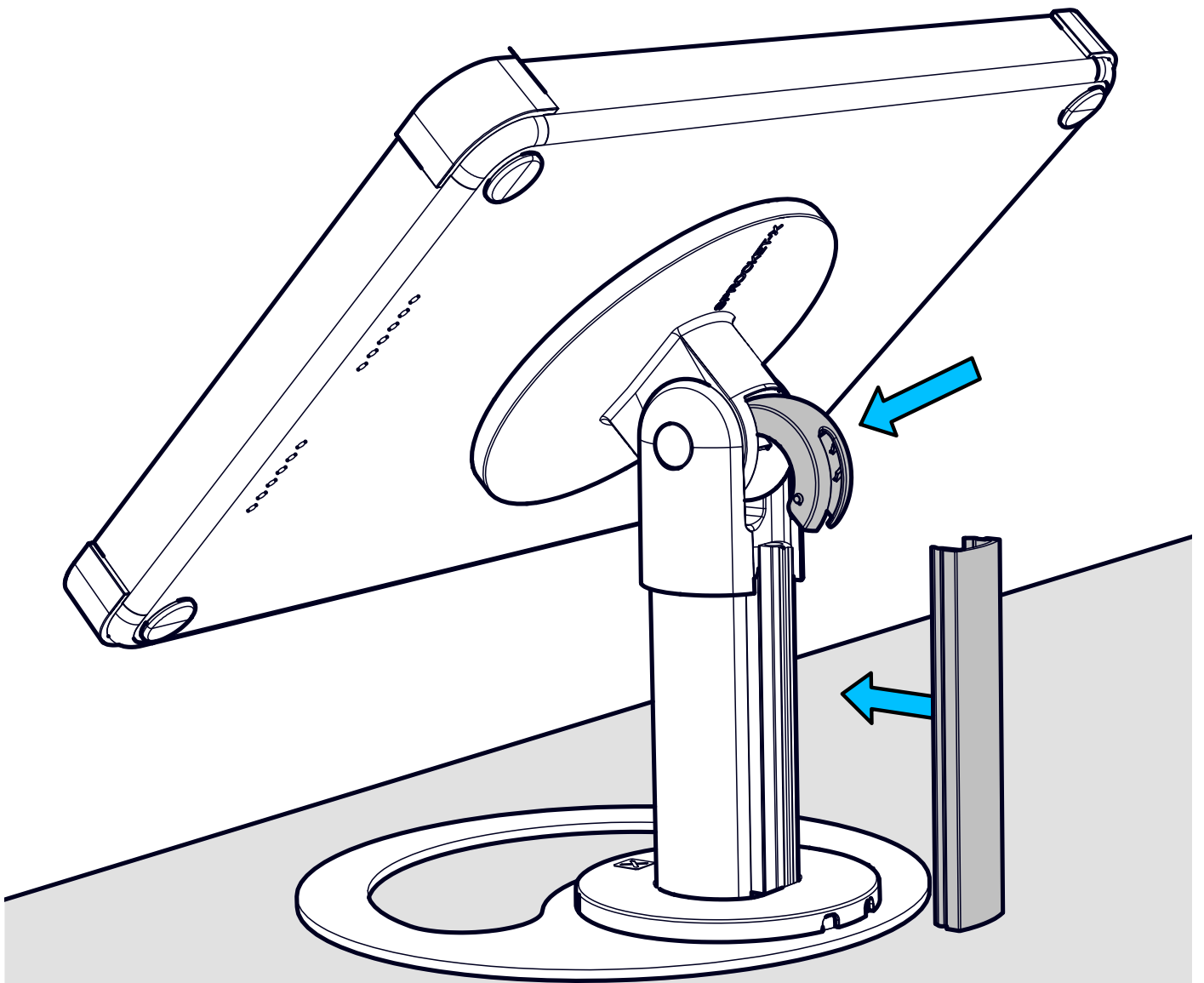




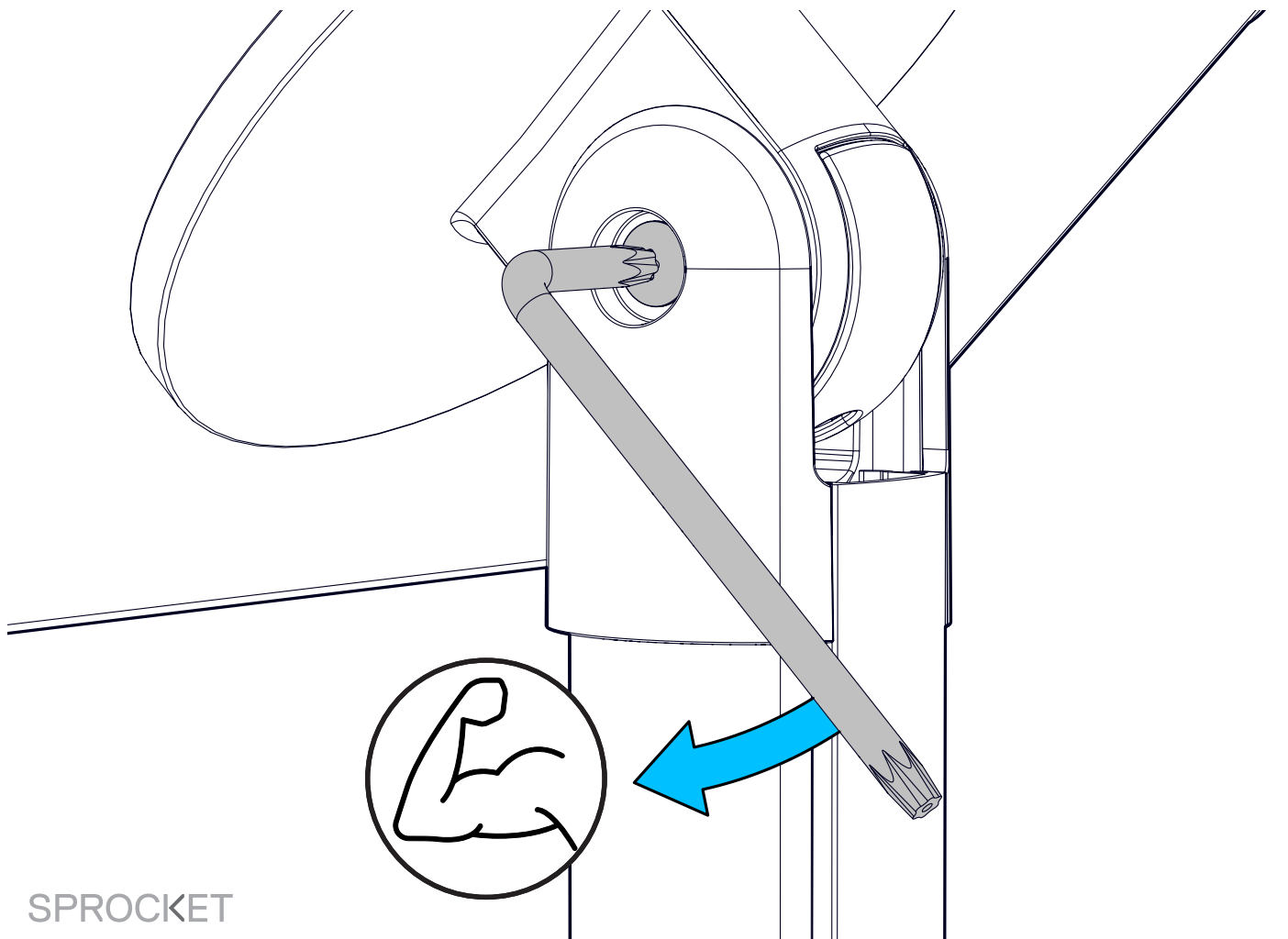
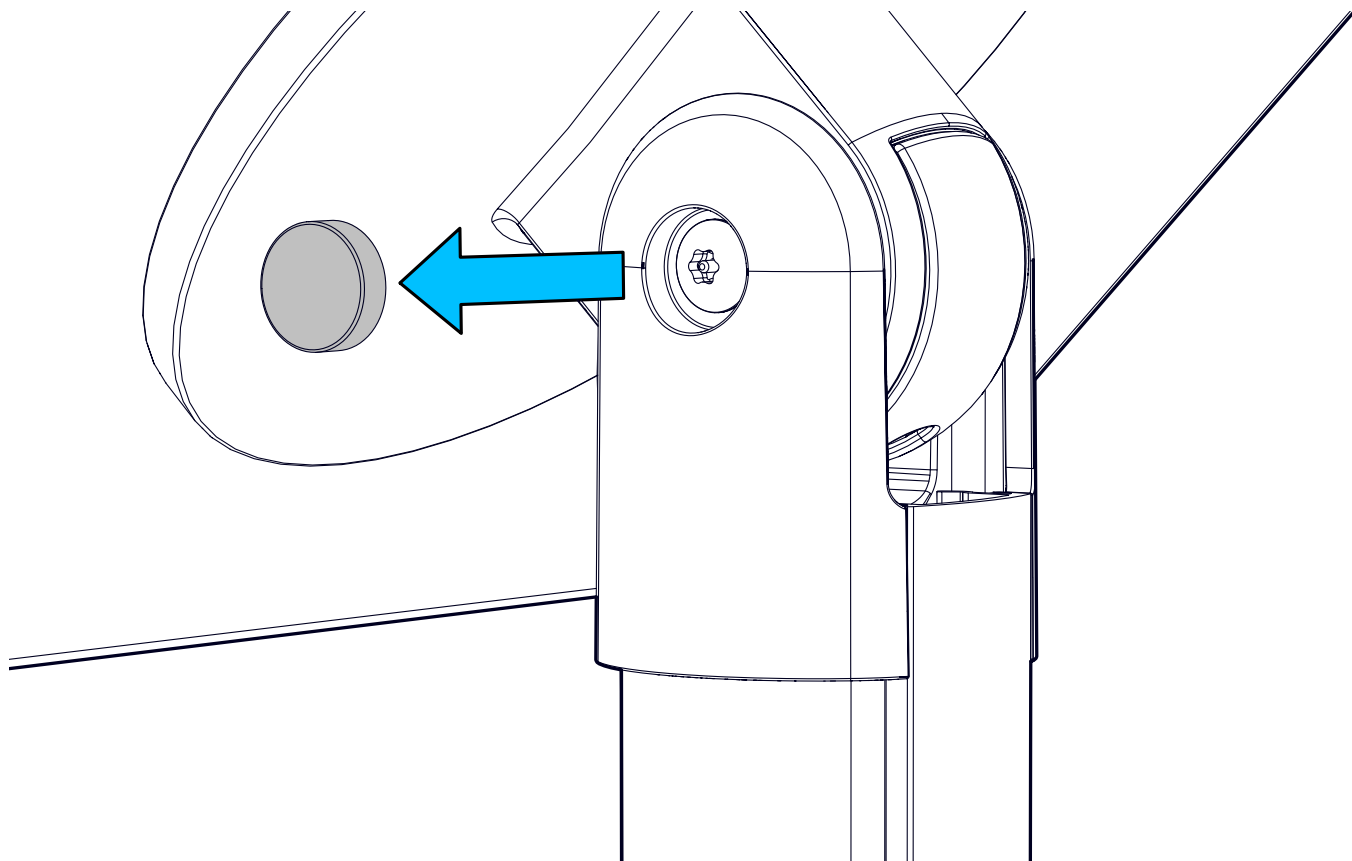




SPROCKET



CARE + MAINTENANCE



SPROCKET